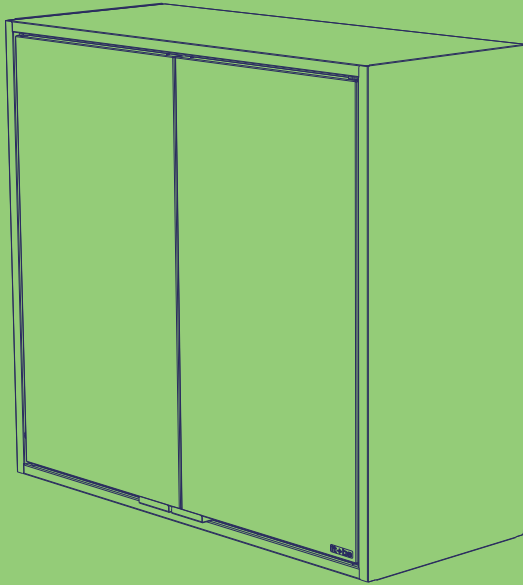


Easy Fit Floating Cabinet 2 Doors

Assembly Guide

Model: 3500001545 / 3500001537

1000012209 - 15/03/2021

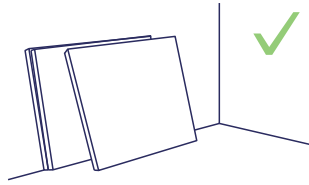
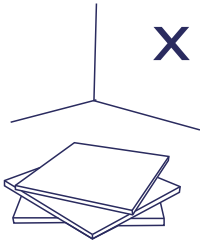


it→be

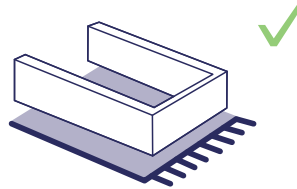
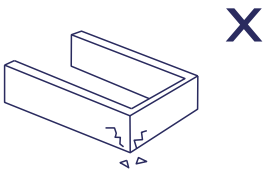
Perfectly
Funtional.



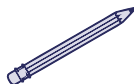
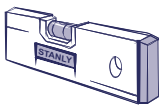
In order to ease the assembly, you should separate and identify the parts first



Do not place the parts directly onto the floor. Use a cardboard sheet or a mat to place the parts, during the separation and assembly.

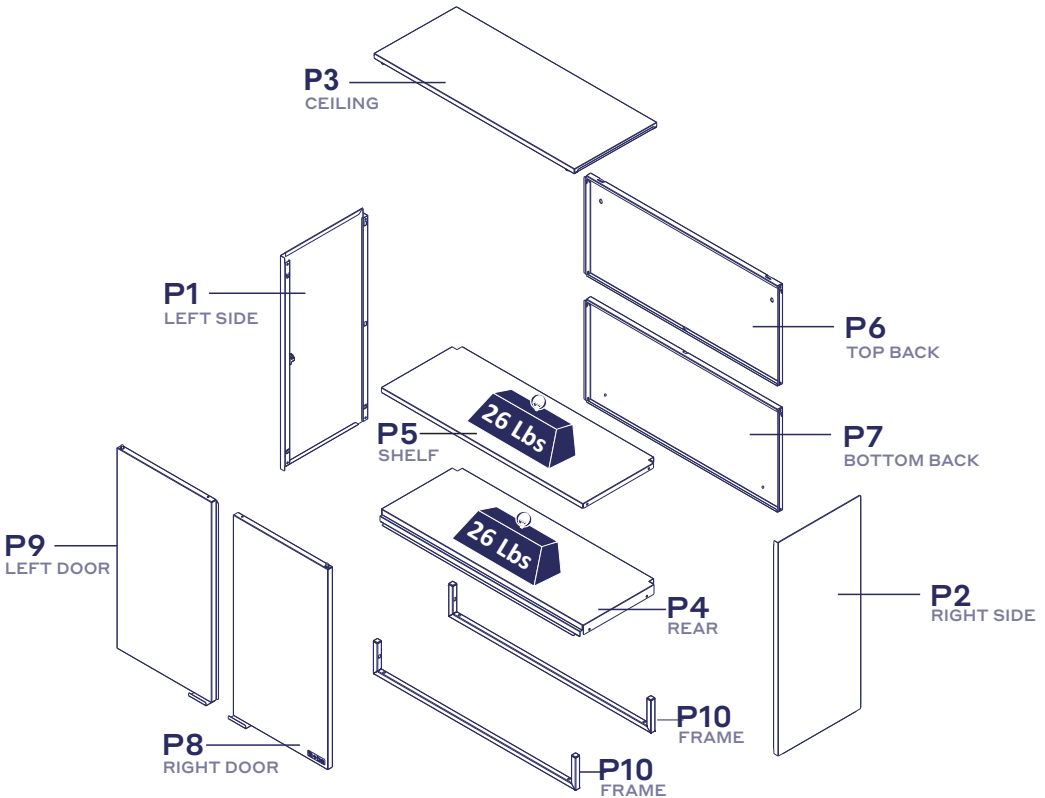


Tools Needed (not supplied)



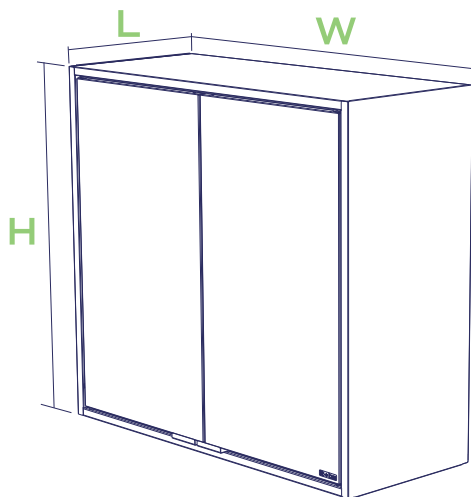
IDENTIFICATION OF PARTS

N°	DESCRIPTION	IDENTIFY THE COLOR OF YOUR CABINET					MATERIAL	QUANTITY	DIMENSION			
		BLACK MATTE	WHITE MATTE	BLUE MATTE	ORANGE MATTE	GREY			LENGTH	WIDTH	THICKNESS	
P1	LEFT SIDE	3000010377	3000010438	-	-	-	STEEL	1	PC	25,31"	11,29"	6,57"
P2	RIGHT SIDE	3000010376	3000010437	-	-	-	STEEL	1	PC	25,31"	11,29"	6,57"
P3	CEILING	3000010375	3000010436	-	-	-	STEEL	1	PC	27,46"	11,26"	0,93"
P4	REAR	3000010374	3000010435	-	-	-	STEEL	1	PC	27,52"	10,92"	1,25"
P5	SHELF	3000010373	3000010434	-	-	-	STEEL	1	PC	27,52"	10,39"	0,59"
P6	TOP BACK	3000009215	3000009336	-	-	-	STEEL	1	PC	26,46"	11,85"	0,65"
P7	BOTTOM BACK	3000009216	3000009337	-	-	-	STEEL	1	PC	26,46"	12,17"	0,65"
P8	DOOR RIGHT	-	3000009576	-	3000011196	3000009570	STEEL	1	PC	23,71"	13,22"	0,65"
P9	DOOR LEFT	-	3000009578	-	3000011195	3000009572	STEEL	1	PC	23,71"	12,93"	0,65"
P10	FRAME	3000010372	3000010433	-	-	-	STEEL	2	PC	3,91"	27,54"	0,59"






Warning - Maximum distributed weight supported.

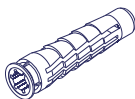


Assembled product:

H: 25.19" W: 27.55" L: 11.22"

F1

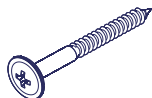
1000012285



Qty. 4

F2

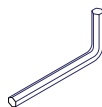
100000016



SCREW 1-49/64 in. X 3/16 in.
Qty. 4

F3

1000009033



HEXAGON 4mm
Qty. 1

F4

100000281 - WHITE
1000007352 - BLACK
1000010221 - BLUE
1000012613 - ORANGE



Qty. 4

F5

3000008219



Qty. 1

F6

1000010136



Qty. 2

F7

3000009645 - WHITE
3000009643 - BLACK
3000009649 - BLUE
3000009647 - GREY
3000011192 - ORANGE



Qty. 2

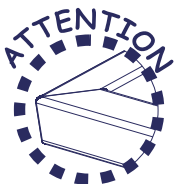
F8

3000004163

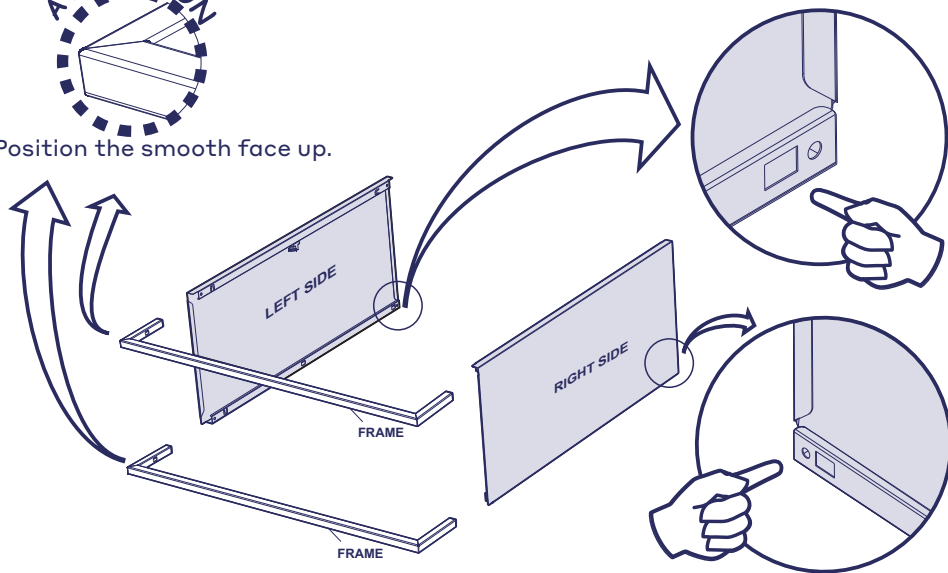


Qty. 4

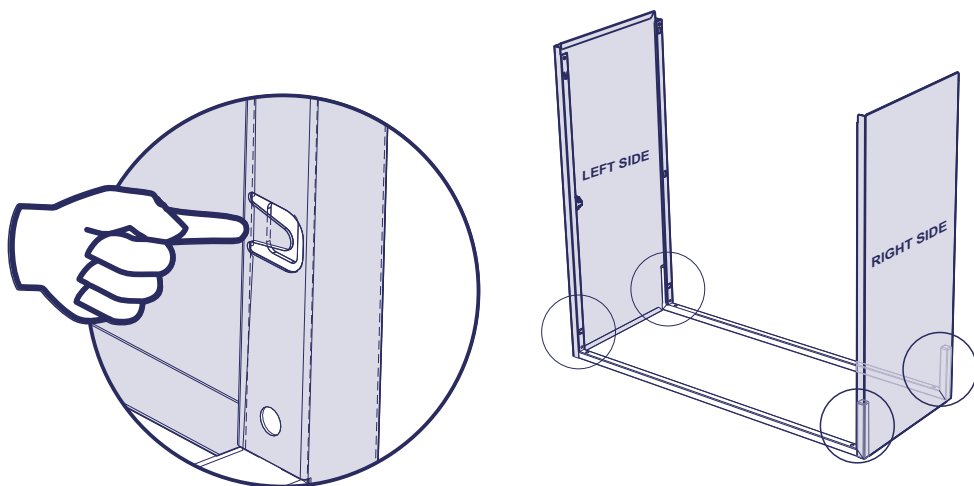
STEP 1 1 - Attach the **FRAMES** on the **LEFT SIDE** and **RIGHT SIDE** parts in the indicated direction.



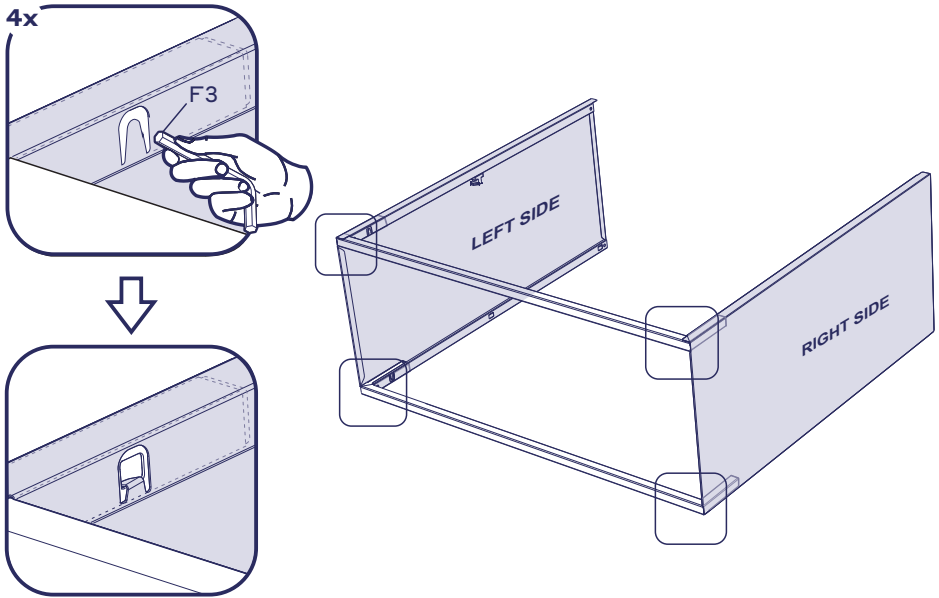
Position the smooth face up.



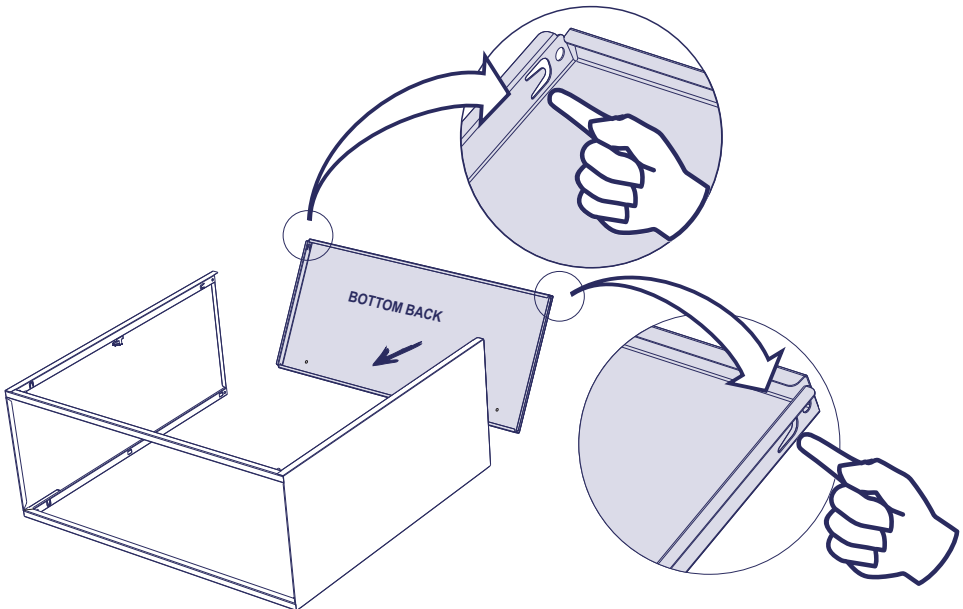
STEP 2 1 - Check the alignment of the holes on the fitted parts



STEP 3 1 - With the end of **F3**, smash the safety claw, locking the **FRAMES** to the **LEFT SIDE** and **RIGHT SIDE**.

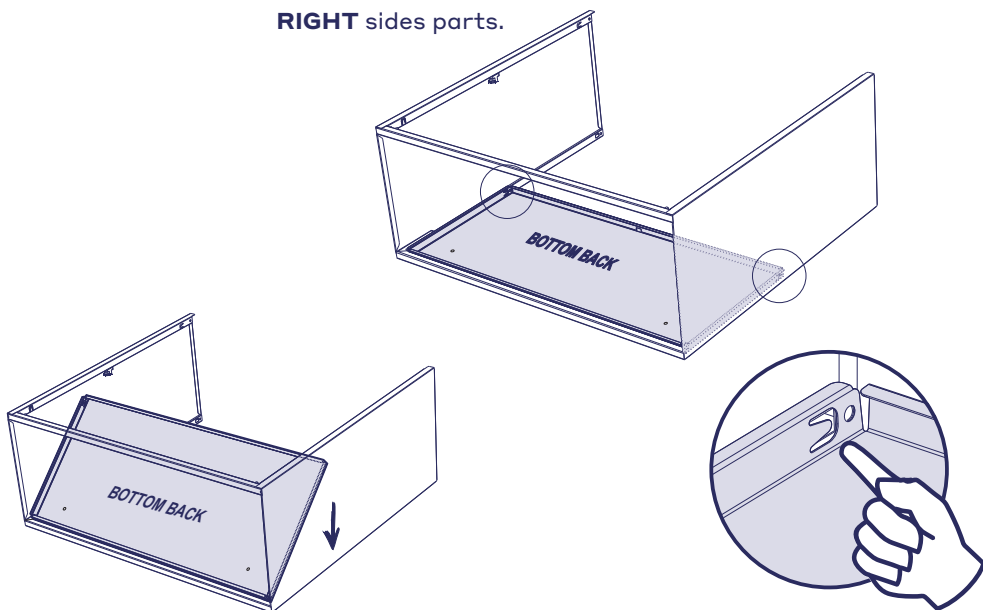


STEP 4 1 - Identify the cutout on the top end of the **BOTTOM BACK** part.



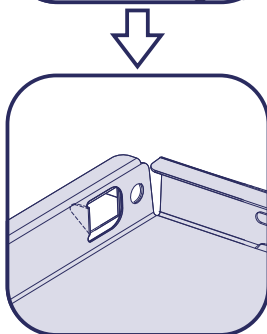
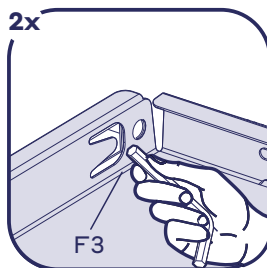
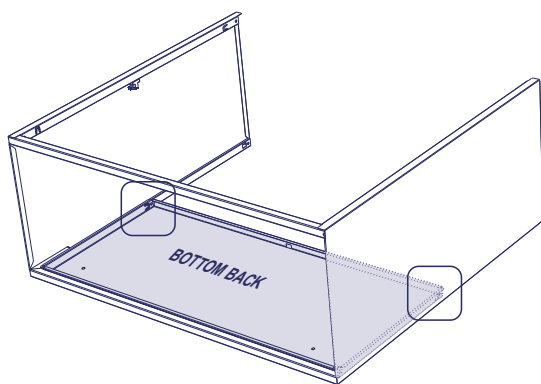
STEP 5

- 1- Attach the **BOTTOM BACK** part on the **LEFT SIDE**, **RIGHT SIDE** and **FRAME** parts.
- 2- Slide the **BOTTOM BACK** part to support on the **LEFT** and **RIGHT** sides parts.



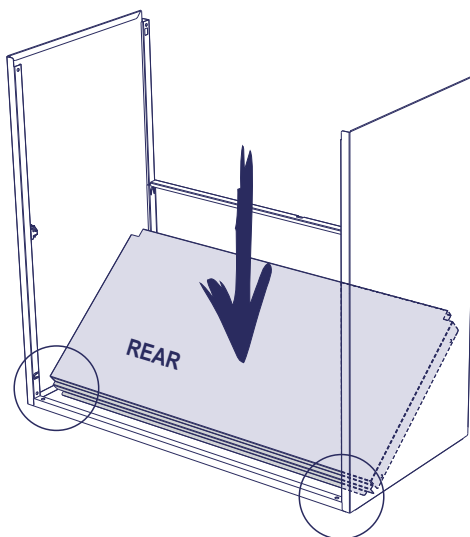
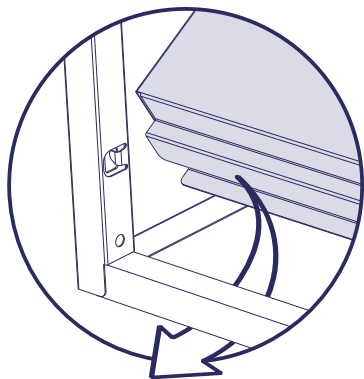
STEP 6

- 1 - Attach the **BOTTOM BACK** part, on the **LEFT SIDE**, **RIGHT SIDE** and **FRAME** parts.
- 2 - Slide **BOTTOM BACK** part to support on the **LEFT** and **RIGHT** sides parts.



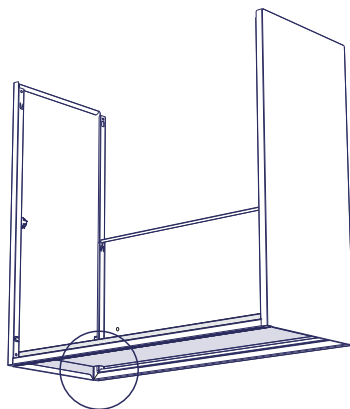
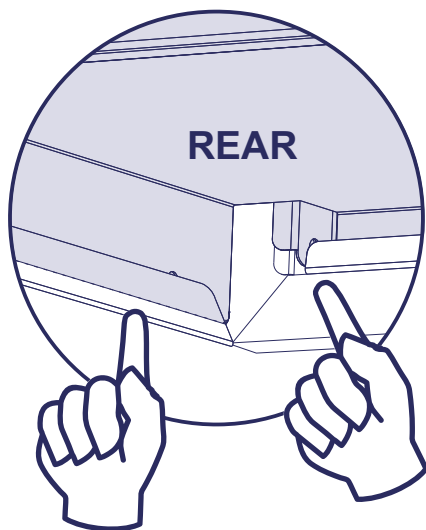
STEP 7

- 1 - Attach the joint of the front of the **REAR** part under the **BOTTOM BACK** part.
- 2 - Lower the **REAR** part as indicated.



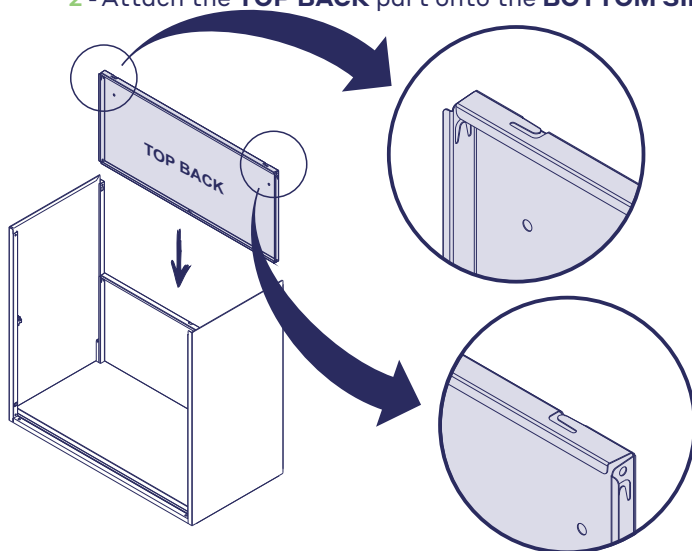
STEP 8

- 1 - Check all the fittings before moving forward.



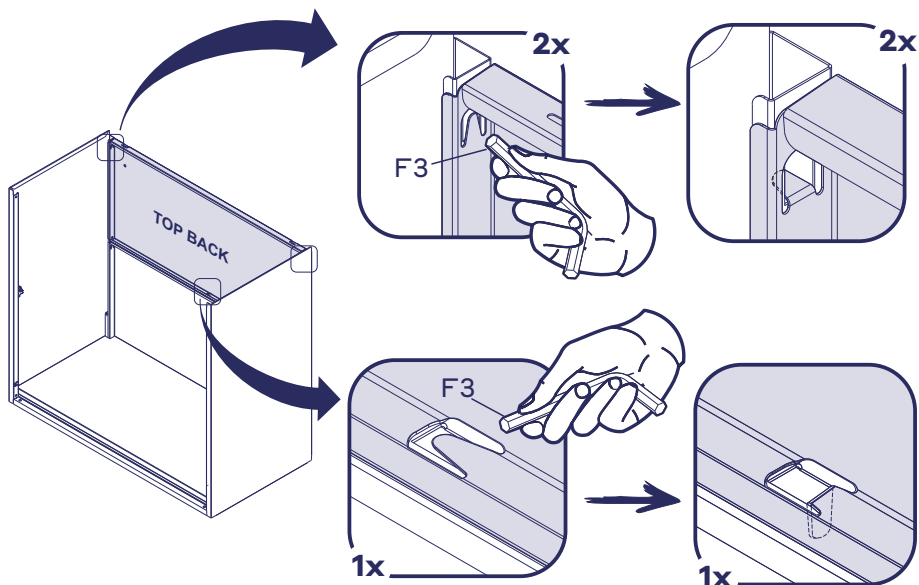
STEP 9

- 1 - Attach the **TOP BACK** part with both cutouts facing up, on the **LEFT** and **RIGHT** sides parts.
- 2 - Attach the **TOP BACK** part onto the **BOTTOM SIDE** part.



STEP 10

- 1 - With the end of **F3**, smash the safety claw.

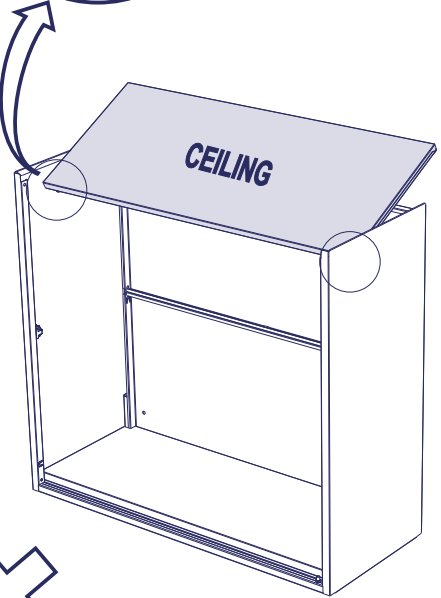
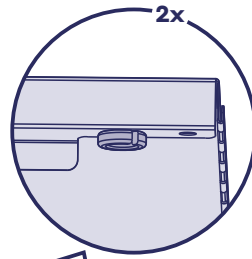
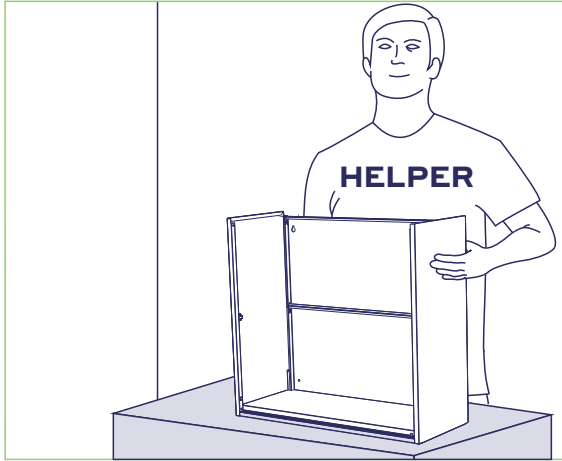


STEP 11

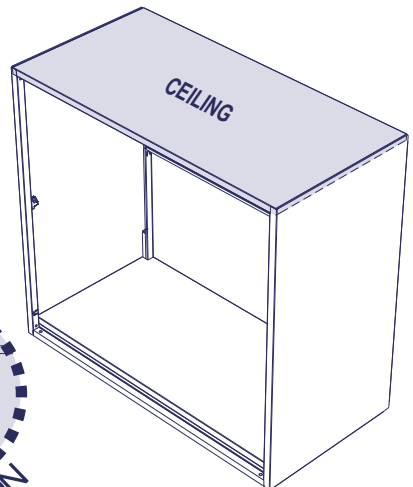
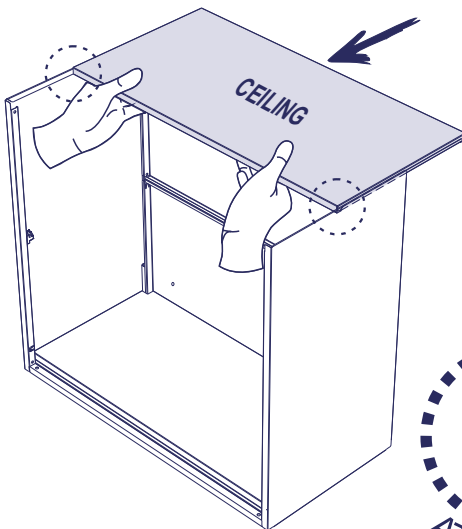
- 1 - Attach the **CEILING** part on the **LEFT** and **RIGHT** sides parts.



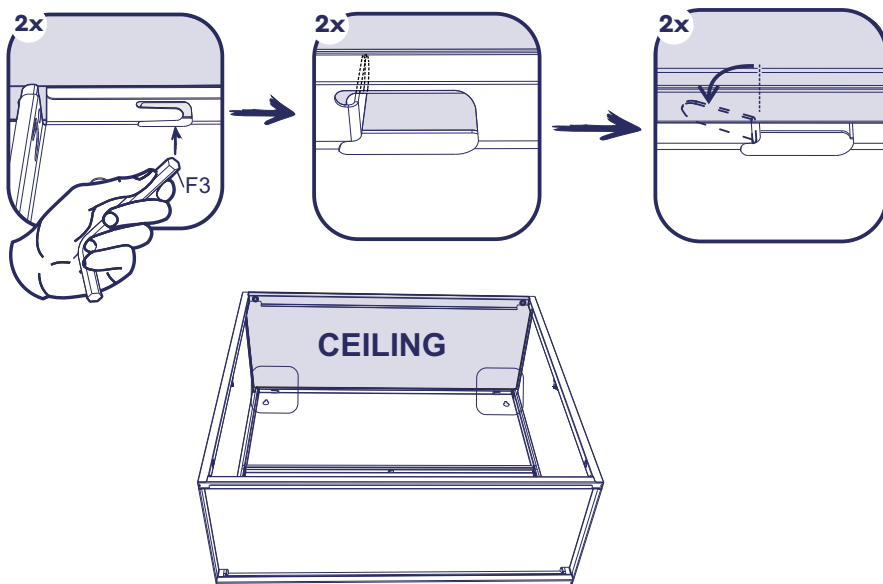
ATTENTION! You may need assistance of another person to complete this step. The sides need to be hold in order to attach the ceiling part as shown below.



- 2 - Pull the front of the **CEILING** part.

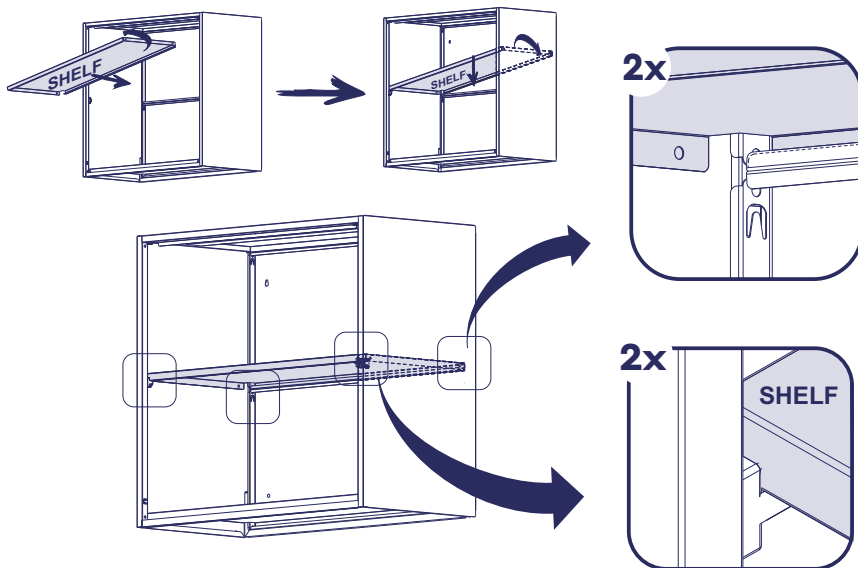


STEP 12 1 - With the end of **F3**, smash the safety claw, locking the **TOP BACK** part to the **CEILING** part.



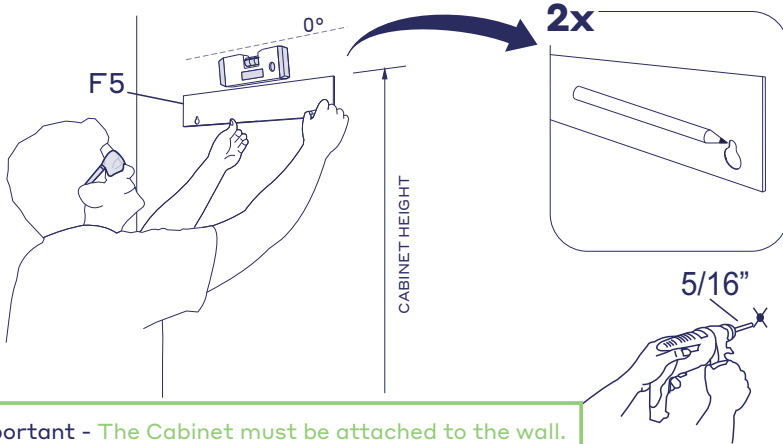
STEP 13

- 1 - Slightly turn the **SHELF** part and place it inside the cabinet, as indicated.
2 - Check all the fittings before continuing.

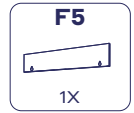


STEP 14

- 1 - Using the **F5** template, make markings on the wall as indicated.
- 2 - It is necessary to use a level.
- 3 - Drill the wall over the marked points.

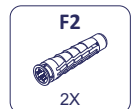
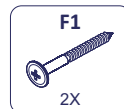
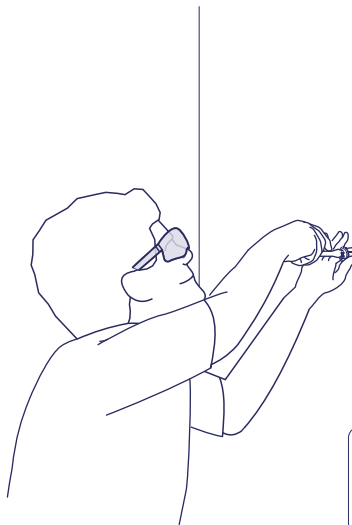
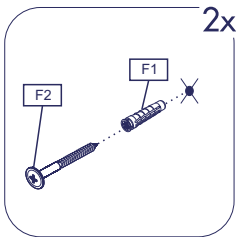


⚠ Important - The Cabinet must be attached to the wall. Use the cardboard template to make marks on the wall. It is important to use a level.



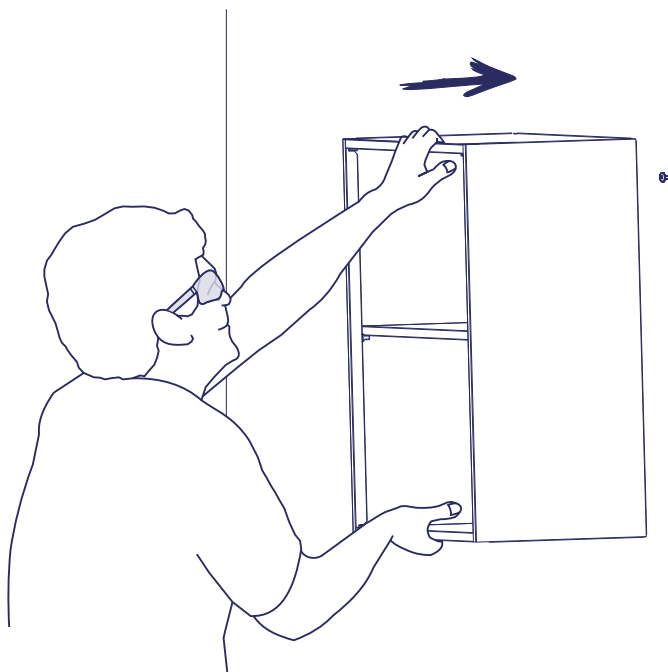
STEP 15

- 1 - Insert the bushing **F1** into the hole.
- 2 - Insert screw **F2** into the bushing.



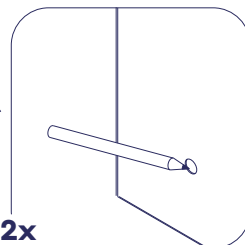
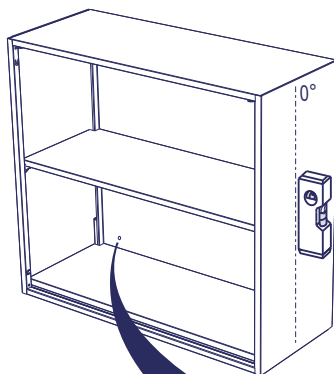
STEP 16

- 1 - Fit the cabinet into the **F2** screw.



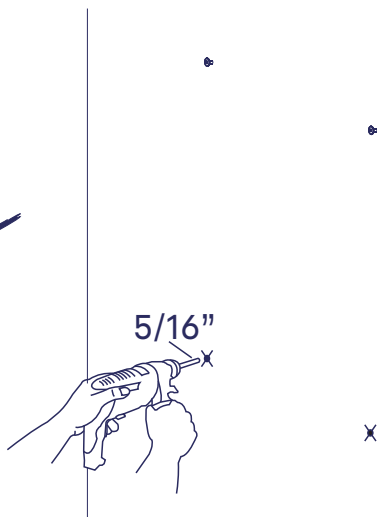
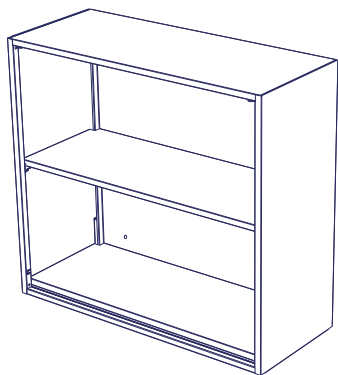
STEP 17

- 1 - Align the cabinet with the use of a level.
2 - Mark the wall through the holes in the bottom of the cabinet.



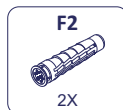
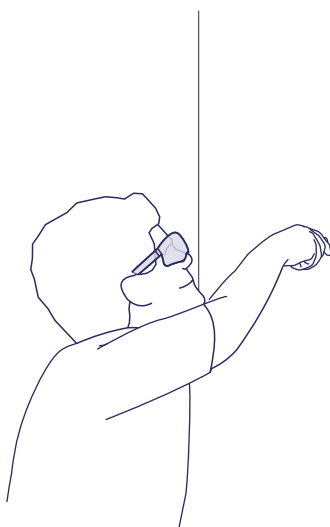
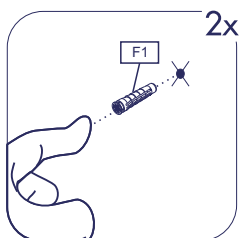
STEP 18

- 1 - Move the cabinet away.
- 2 - Drill the wall over the marked points.



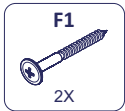
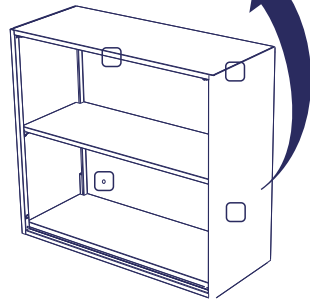
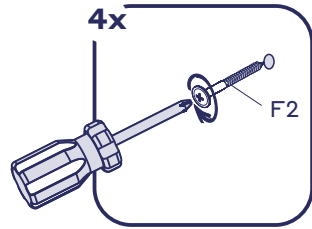
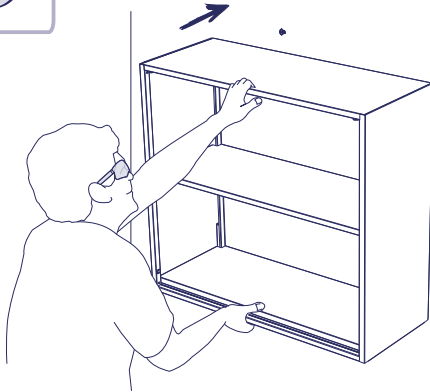
STEP 19

- 1 - Insert the bushing **F1** into the hole.



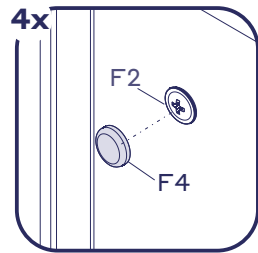
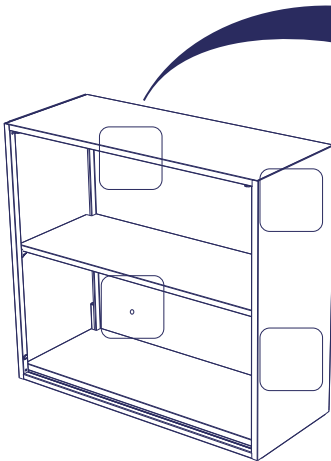
STEP 20

- 1 - Position cabinet through the **F2** screws that are already attached to the wall.
- 2 - Insert screw **F2** through part **BACK**.
- 3 - Turn the screw using the **REAR** part clockwise.



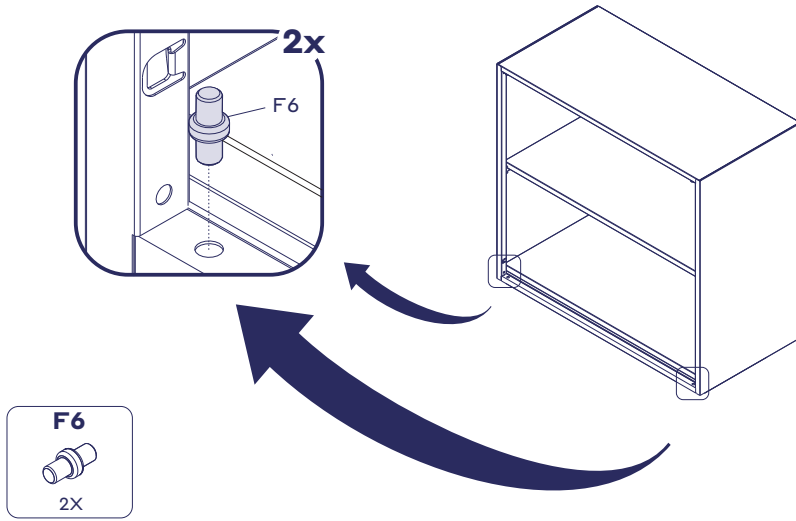
STEP 21

- 1 - Press the **F4** parts against the heads of the **F2** screws.



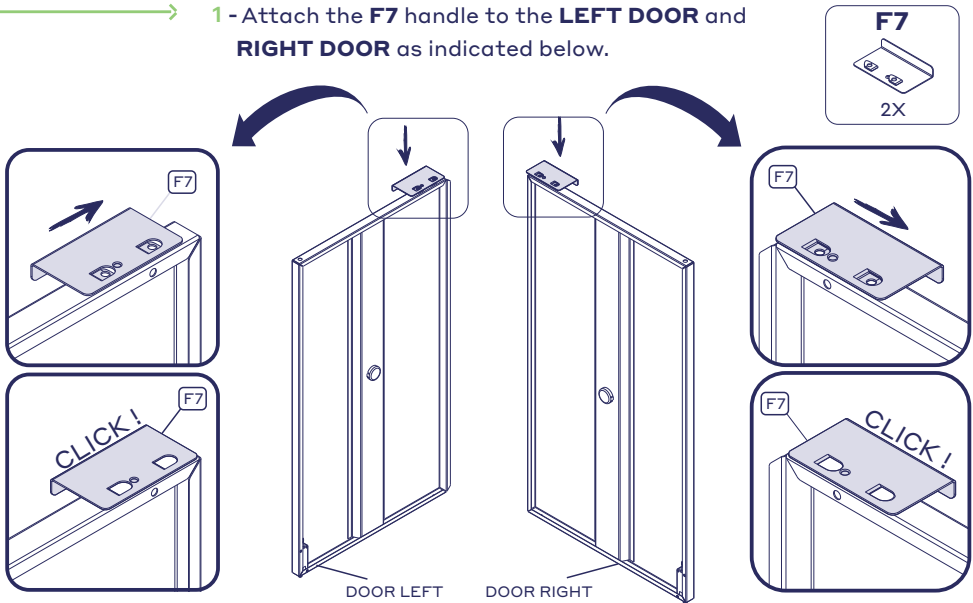
STEP 22

1 - Attach the **F6** into the **FRAME** part.

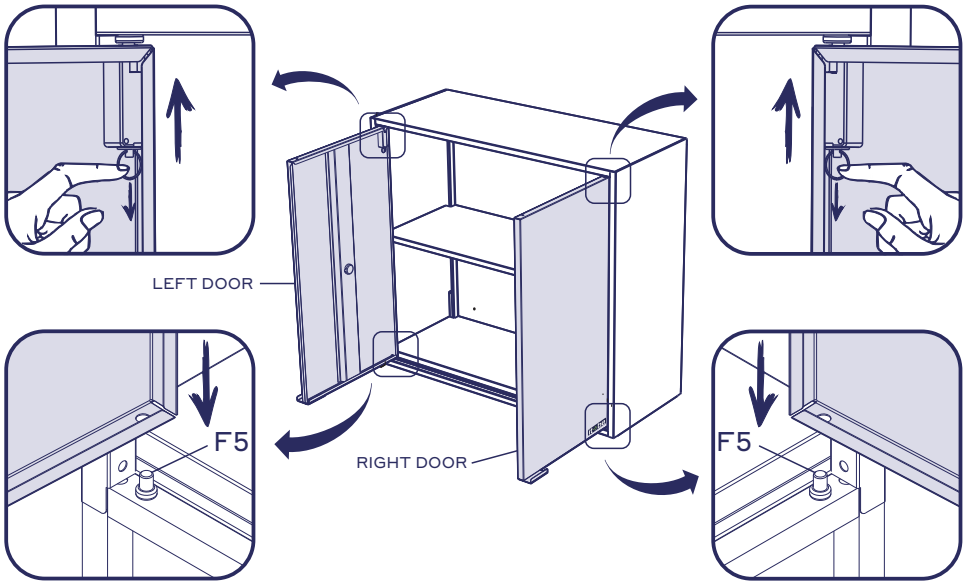


STEP 23

1 - Attach the **F7** handle to the **LEFT DOOR** and **RIGHT DOOR** as indicated below.

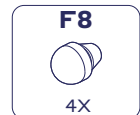
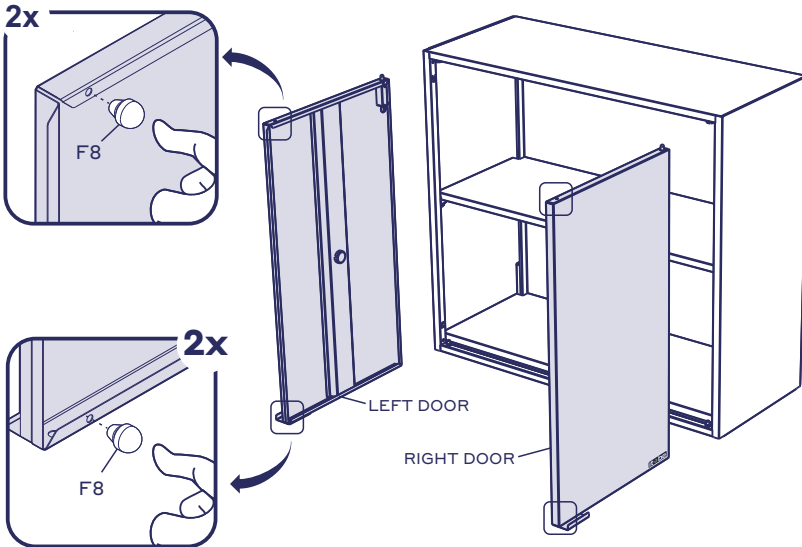


STEP 24 1 - Attach the **RIGHT DOOR** to the right side of the enclosure on parts **F5** and **FRAME**.



STEP 25

- 1 - Glue **F8** to the **RIGHT DOOR** part in the indicated area.
2 - Finish engaging part **F8** through the pivoting wrench as shown below.



Taking good care of your cabinet



Important - In order to avoid severe or even fatal injuries, follow the instructions carefully.





WARRANTS TERMS AND CONDITIONS

ITBE PRODUCTS

This document describes the limited warranty agreement ('Warranty') regarding your purchase of ITBE's furniture and/or equipment ('Product') within USA territory. This agreement is subject to the conditions described below.

1.WARRANTY SCOPE

- 1.1.** This Warranty covers Product defects resulting from defective parts, materials or manufacturing, if such defects occur during the period of 12 months after the date of purchase.
- 1.2.** The Products are considered defective if they fails to perform the functions as indicated in the operation manuals, technical specifications or any other similar documents supplied with the Products, and the failure is due to material and workmanship defects.
- 1.3.** During the Warranty period, if a defect arises in the Product, ITBE will, at his option and to the extent permitted by law, either (i) repair the Products using either new or refurbished parts, (ii) replace the Product with a new or refurbished Product that is equivalent or similar to the Product to be replaced, or (iii) refund to Buyer all or part of the purchase price of the Product.

2.WARRANTY LIMITATIONS

2.1. This Warranty does not cover:

- i.** In-home service including, but not limited to, service calls to correct the installation of any Products or to instruct Buyer on how to use or install them.
- ii.** Damage or failure resulting from modification, alteration, misuse or abuse of a Product.
- iii.** Damage caused by a carrier or third party, including resulting from improper handling or shipping of Products, or Products damaged by accident, alteration, misuse, abuse, fire, flood, improper installation, acts of God, neglect, corrosion, modification or mishandling.
- iv.** Factory specified replacement parts or Product replacement when Buyer's Product is used in other than normal, single-family household use, such as a commercial environment or handled in a manner contrary to published user or operator instructions and/or installation instructions.
- v.** Aesthetic damages including scratches, dings, dents or cracks that do not affect the structural or functional capability of the Product.
- vi.** Damage resulting from improper loading beyond the specified maximum weight capacity outlined in the assembly instructions provided with the Product including overloading of hooks, baskets, shelves, cabinets, and other accessories used with the Product.
- vi.** Surfaces damaged due to chemical interaction resulting in corrosion of paint, metal or any treatment or cleaning product that is not recommended by ITBE.
- vii.** Color and other covering materials.
- ix.** Drawers and doors, as they may run tight or lose due to high variation in humidity and temperature in the surrounding atmosphere.
- x.** Replacement keys or locking mechanism.
- xi.** Natural wear and tear of the Product.
- xii.** Any labor costs during the Warranty period.

2.2 ITBE must be notified of any defect and given an opportunity to remedy it; any remedial work carried out by a third party will nullify this warranty.

2.3 The cost of repair or replacement under these excluded circumstances shall be borne by Buyer.



3. PROCEDURE AND EVALUATION

3.1 If Buyer has received a defective Product, Buyer must report the defect by sending an e-mail to To be able to help@itbehome.com make a warranty claim, Buyer must always present proof of purchase send a photo of the defective Product and provide a detailed description of the defect.

3.2 Buyer will receive a confirmatory email with a number code and ITBE will process the report within 2 business days. If the photo sent by Buyer is not enough to determine the cause of the Product defect, ITBE may request further explanation, carry out an on-site examination of the Product or require Buyer to send the Product to the nearest support center. If an on-site examination is necessary, Buyer must grant free direct access to ITBE's technician as needed.

3.3 If there is any doubt about whether the problem with the defective Products falls under the Warranty, the burden of proof of the existence of material and workmanship defects lies with Buyer.

3.4 Warranty services will be provided only if a material or workmanship defect is demonstrated, and the defect does not fall under clause 2.

3.5 After evaluation, ITBE will, on its discretion, either repair or replace the defective parts of the Product or the Product itself or refund the purchase price to Buyer. ITBE shall provide Buyer with a forecast of the time required for the repair or replacement of the Product.

3.6 If a product or its part has to be replaced and that particular product or part is no longer available, ITBE reserves the right to use an alternative similar product or part.

3.7 When a warranty claim is justified, ITBE will pay for shipping expenses for repairing or replacing the Product. ITBE can charge Buyer for returned Products that are not found to be defective or non-conforming, in addition to shipping-test, and handling costs associated therewith.

3.8 The warranty does not cover any costs associated with installation, removal or reinstallation of a Product, when applicable.

4.WARRANTIES AND DAMAGES

4.1 To the extent permitted by law, the Warranty and remedies set forth above are exclusive and in lieu of all other warranties and remedies. ITBE specifically disclaims all statutory or implied warranties, including, but not limited to, warranties of merchantability, fitness for a particular purpose and against hidden or latent defects.

4.2 ITBE DOES NOT PROVIDE, AND SPECIFICALLY DISCLAIMS, ANY OTHER WARRANTIES FOR THE PRODUCTS, EXPRESS OR IMPLIED, INCLUDING ANY IMPLIED WARRANTY OF MERCHANTABILITY OR FITNESS FOR A PARTICULAR PURPOSE. ITBE SHALL NOT BE LIABLE FOR OR OBLIGATED IN ANY WAY TO PAY CONSEQUENTIAL OR INDIRECT DAMAGES, INCLUDING, WITHOUT LIMITATION, LOSS OF PROFITS, FINES OR LEGAL ACTIONS BY THIRD PARTIES. IN ANY EVENT, ITBE'S LIABILITY AS RELATED TO THE SUPPLY OF THE PRODUCT SHALL NOT EXCEED THE AMOUNT EFFECTIVELY PAID BY THE BUYER.

4.3 ITBE is not obliged to notify any Buyer, or future Buyer, after a certain date about any possible amendments or the non-applicability of this limited warranty regarding the supplied Products. The Warranty as described below is subject to the limits and other conditions described herein.




Keep this booklet and your proof of purchase together for future reference. You will need to provide proof of purchase to obtain service under warranty.

Write the following information regarding your Product to help you get Better assistance or service should you ever need it.

You should have the complete model number. You can find this information on the label that is located in the package, as an example below:

1234564510000
COPY THIS NUMBER

ITBE		PRODUCT IDENTIFICATION	
0001/0003	00000000	00/00/00	1 1234564 510000
PD 1P-35 ITBE EASY FIT BRM/BRM		PACKED SIZE: GROSS WEIGHT: VOL/UNIT:	
 7892946315555		 Assembled Product 13.77" X 25.19" X 11.22" IN	

Distributor name _____
Address _____
Phone number _____
Model number _____
Serial number _____
Date of purchase _____



it → **be**

Need Help?



Any questions
on the assembly ?

Contact us.

help@itbehome.com

it→be

itbehome.com