

For Home 2 Doors Tall Cabinet

Assembly Guide



Model: 3500001551 / 3500001561 / 3500001562

1000012235 - 08/09/2020

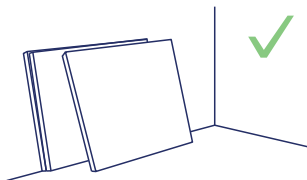
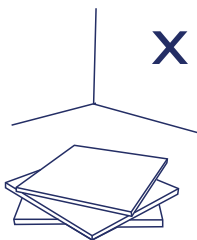


it→be

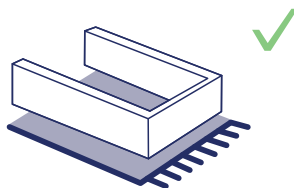
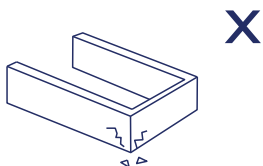
Perfectly
Funtional.



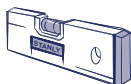
In order to ease the assembly, you should separate and identify the parts first



Do not place the parts directly onto the floor. Use a cardboard sheet or a mat to place the parts, during the separation and assembly.

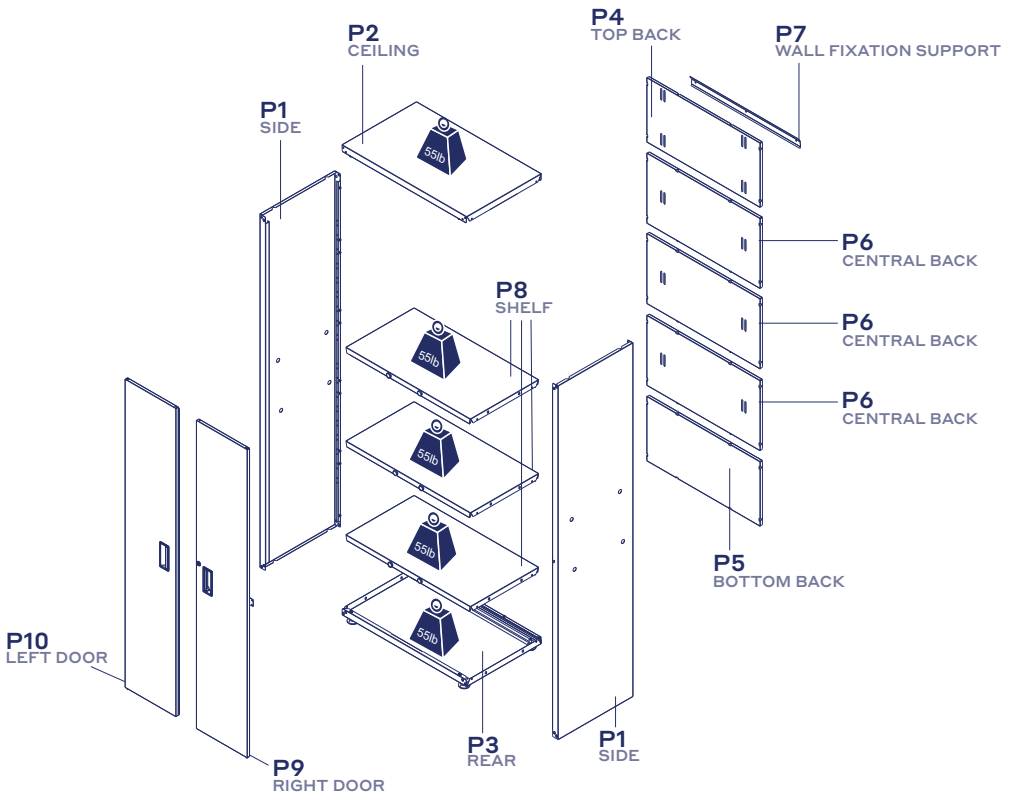


Tools Needed (not supplied)

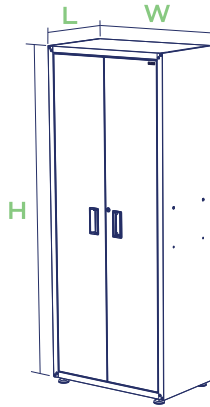


IDENTIFICATION OF PARTS

Nº	DESCRIPTION	IDENTIFY THE COLOR OF YOUR CABINET					DIMENSION			
		BLACK MATTE	WHITE MATTE	GREY	MATERIAL	QUANTITY	LENGTH	WIDTH	THICKNESS	
P1	SIDE	3000010623	3000010527	-	STEEL	2	PC	74,30"	18,23"	1,38"
P2	CEILING	3000010621	3000010525	-	STEEL	1	PC	30,26"	18,11"	1,38"
P3	REAR	3000010620	3000010524	-	STEEL	1	PC	30,26"	18,11"	1,38"
P4	TOP BACK	3000010593	3000010475	-	STEEL	1	PC	27,5"	13,55"	0,53"
P5	BOTTOM BACK	3000010592	3000010469	-	STEEL	1	PC	27,5"	13,55"	0,56"
P6	CENTRAL BACK	3000010619	3000010523	-	STEEL	3	PC	27,5"	14,74"	0,56"
P7	WALL FIXATION SUPPORT	3000010668	3000010667	-	STEEL	1	PC	26,53"	1,77"	0,46"
P8	SHELF	3000010622	3000010526	-	STEEL	3	PC	30,2"	16,57"	1,14"
P9	RIGHT DOOR	3000010626	-	3000010513	STEEL	1	PC	71,1"	13,55"	0,65"
P10	LEFT DOOR	3000010627	-	3000010512	STEEL	1	PC	71,1"	13,85"	0,65"



Warning - Maximum distributed weight supported.



Assembled product:

H:75.1" W:30.3" L:18.1"

Hardware list

F1

1000011853



SCREW M8X12
Qty. 20

F2

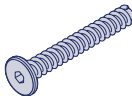
1000011851



NUT M8
Qty. 20

F5

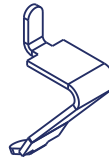
1000008778



SCREW 1-31/32 in. X 1/4 in.
Qty. 3

F7

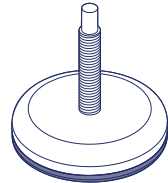
1000008301



Qty. 8x

F9

1000008368



Qty. 4

F13

1000011850



HEXAGON 5mm
Qty. 1x

F15

1000010159



Qty. 1x

F14

1000012086



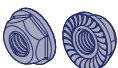
Qty. 3

F18

1000011849



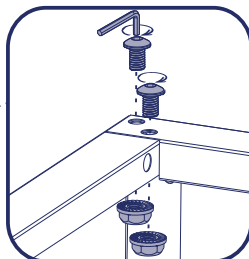
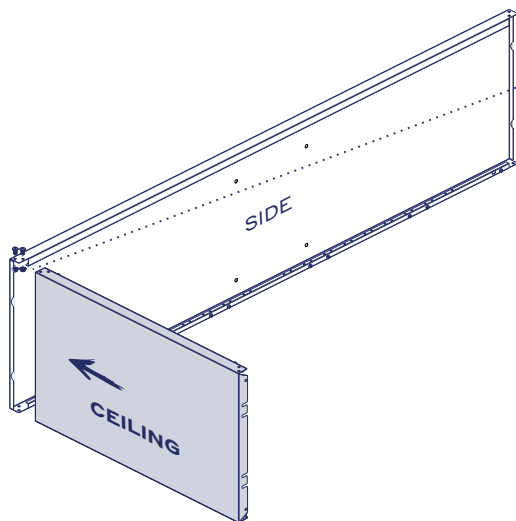
SCREW 4,8 X 9,5mm
Qty. 4



Locking nut, no key tightening required.

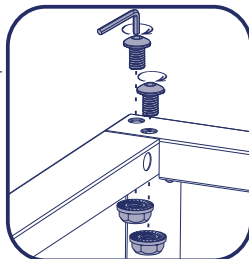
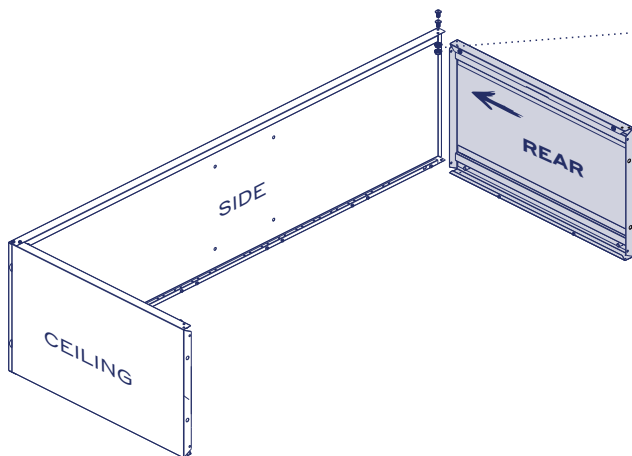
STEP 1

- 1 - Fit the **CEILING** part inside the **SIDE** part.
- 2 - Align the two holes in the corner and screw **F1** and **F2** to it.



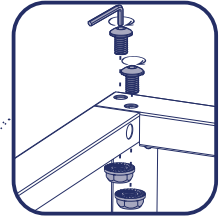
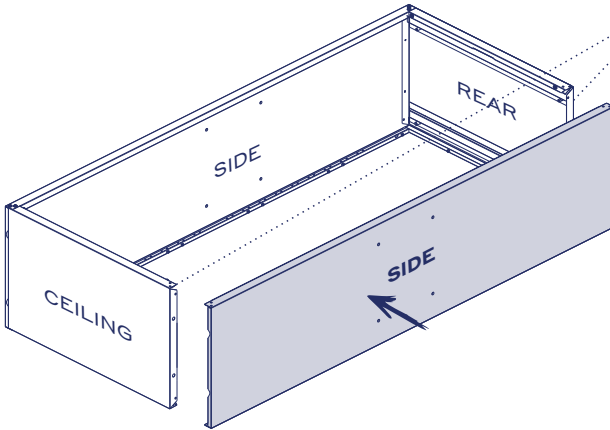
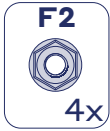
STEP 2

- 1 - Fit the **REAR** part inside the **SIDE** part.
- 2 - Align the two holes in the corner and screw **F1** and **F2** to it.



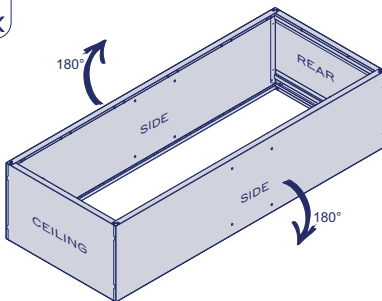
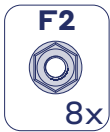
STEP 3

- 1 - Fit the **REAR** part and the **CEILING** part inside the **SIDE**.
- 2 - Align the two holes in the corner and screw **F1** and **F2** to it.

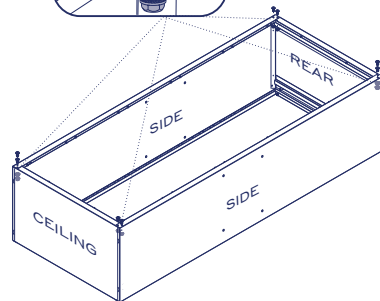
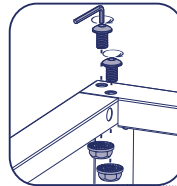


STEP 4

- 1 - Turn the cabinet with the back side upwards.



- 2 - Align the holes and screw **F1** and **F2** to it to each corners.

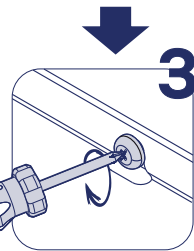
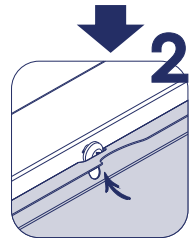
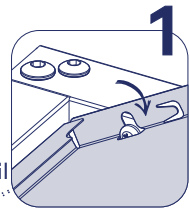
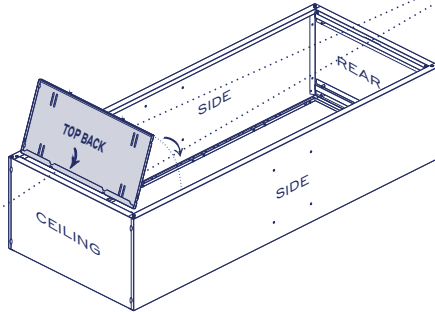


Important -

To avoid possible falls, this safety claw should be fixed.

STEP 5

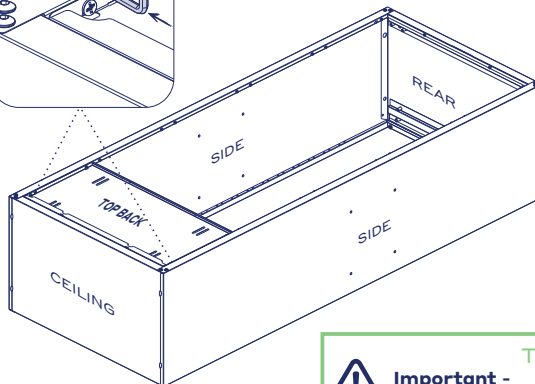
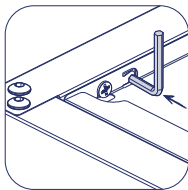
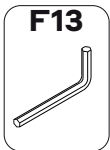
- 1 - Fit the **TOP BACK** part into the **CEILING** part and the **SIDES** parts.
- 2 - Check if all parts are supported over the bolts holes.
- 3 - After fitting the parts, screw the bolts until locked.



Important - Position the **BOTTOM BACK** part on the **CEILING** side to assemble the cabinet.

STEP 6

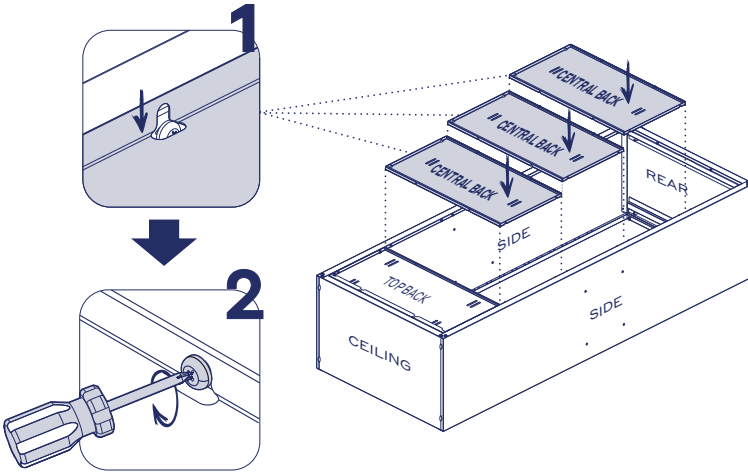
- 1 - With the end of **F13**, smash the safety claw, locking the **TOP BACK** part to the **SIDES** parts.



Important - To avoid possible problems, the safety claw must be locked.

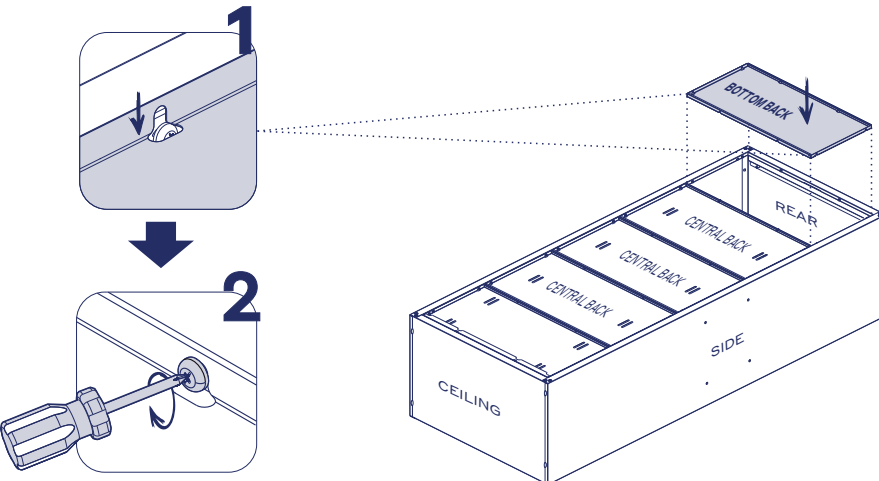
STEP 7

- 1 - Fit the **CENTRAL BACK** parts inside the **SIDES** parts and the **TOP BACK** part, as illustrated here below. Check if all parts are supported over the bolts holes.
- 2 - After fitting the parts, screw the bolts until locked.



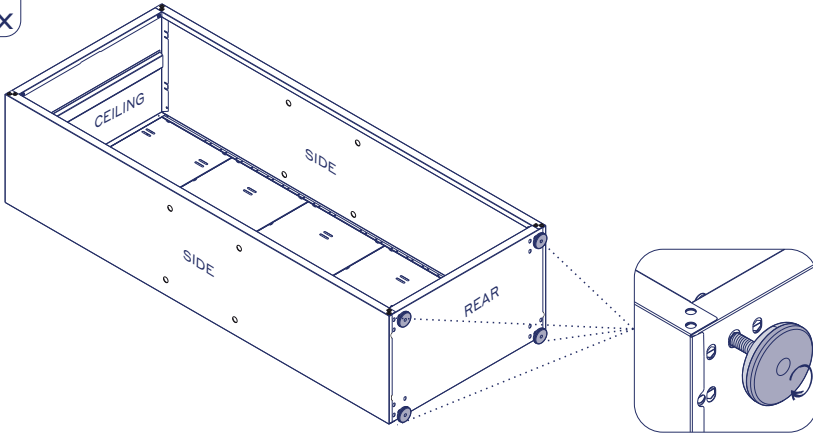
STEP 8

- 1 - Fit the **BOTTOM BACK** part inside the **SIDES** parts, **CENTRAL** parts and the **REAR** part. Check if all parts are supported over the bolts holes.
- 2 - After fitting the parts, screw the bolts until locked.



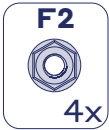
STEP 9

- 1 - Screw the Leveling Leg **F9** into each of the four rivet nuts located at the corners of the cabinet as shown. To level the height of the cabinet, turn the Leveling Leg either clockwise or counterclockwise to align it.

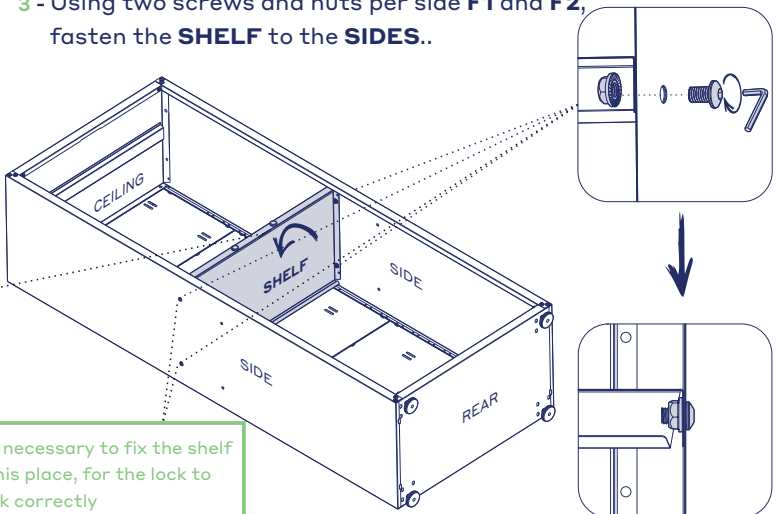
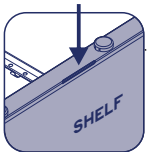


STEP 10

- 1 - Place the **SHELF** part in a diagonal position to insert it inside the cabinet between the **SIDES** parts.
- 2 - Align the holes in the shelf ends with the pair of holes in the middle of the cabinet sides **P1**.
- 3 - Using two screws and nuts per side **F1** and **F2**, fasten the **SHELF** to the **SIDES**.



CUT TO PASS OF THE
LOCKING TONGUE

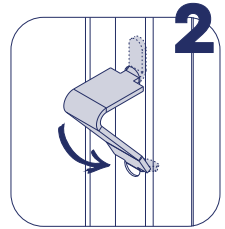
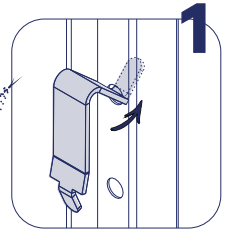
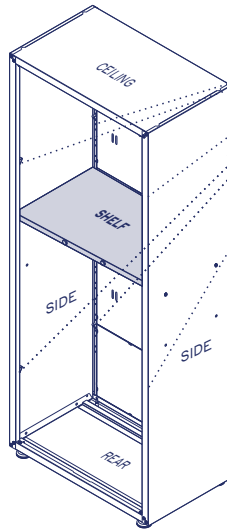


Important -

It is necessary to fix the shelf in this place, for the lock to work correctly

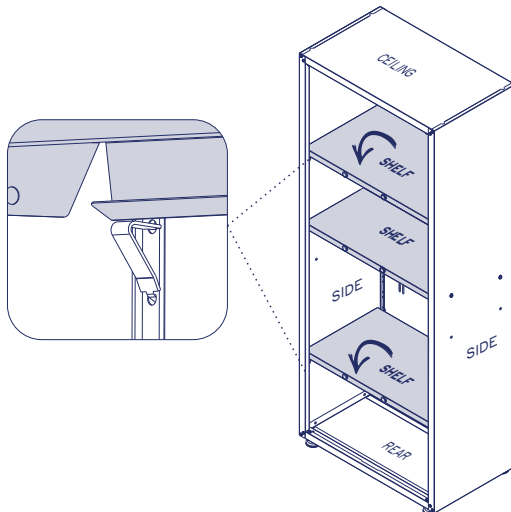
STEP 11

- 1 - Turn the cabinet so that it will stand in the position of use.
- 2 - Fix the four **F7** parts to both **SIDES** as shown below.



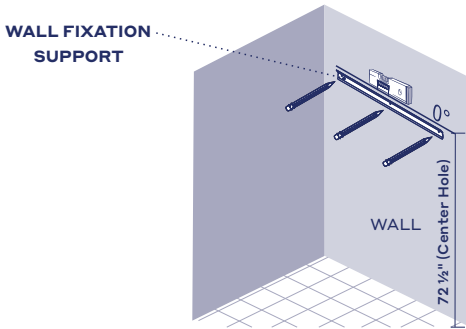
STEP 12

- 1 - Fit the lower the **SHELF** part in diagonal position to insert it inside the cabinet.
- 2 - Lean the **SHELF** and place it over the **F7** fixed on the **SIDES** as detailed in the illustration below.
- 3 - Place the other side of the **SHELF** parts.



STEP 13

- 1 - Align the **WALL FIXATION SUPPORT** part at an approximate 72 1/2" from the floor.
- 2 - Align the part using a level.
- 3 - Mark the wall using the holes of the **WALL FIXATION SUPPORT** with a pencil.

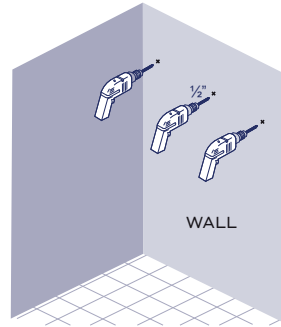


- 4 - Withdraw the part.
- 5 - On the marked spots, drill the wall using a Driller with a 1 1/2" (13 mm) drill.



Important -

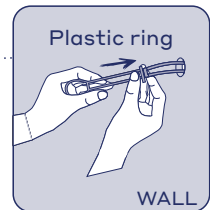
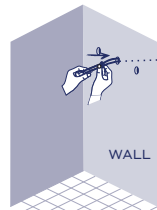
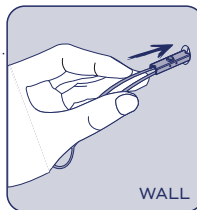
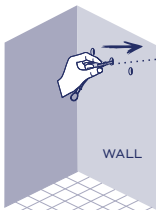
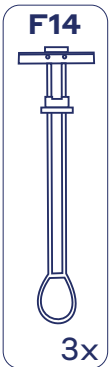
The Cabinet must be fixed on the wall.



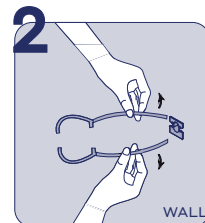
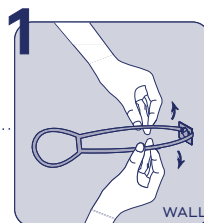
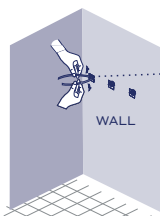
STEP 14

- 1 - Insert the metal part of the bushing into the hole until it overcomes the wall.

- 2 - Pull the bushing and drive it against the wall and then push the plastic ring until it leans close to the wall.

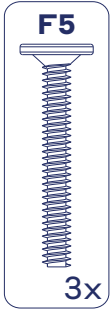


- 3 - Break the bushing's rods.

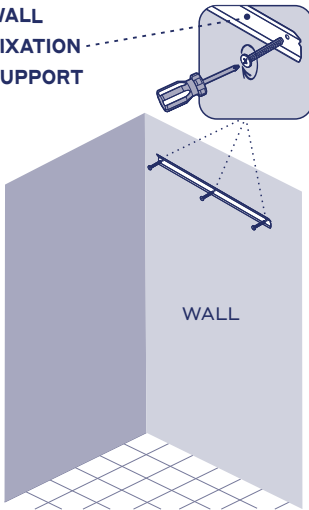


STEP 15

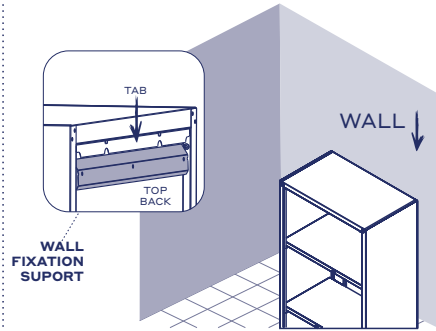
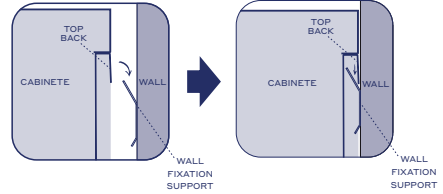
- 1 - Align the **WALL FIXATION SUPPORT** part to the bushings part to the wall and screws the **F5** to the wall.



**WALL
FIXATION
SUPPORT**

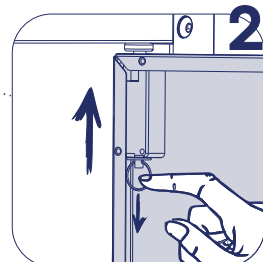
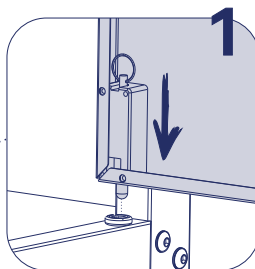
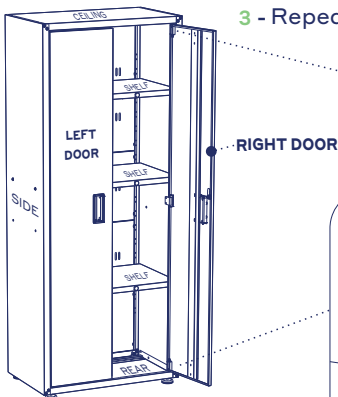


- 2 - Fix the Cabinet to the **WALL FIXATION SUPPORT** to be hold on the wall. The Tab of **TOP BACK** part must be used to this purpose.
- 3 - Level the legs..

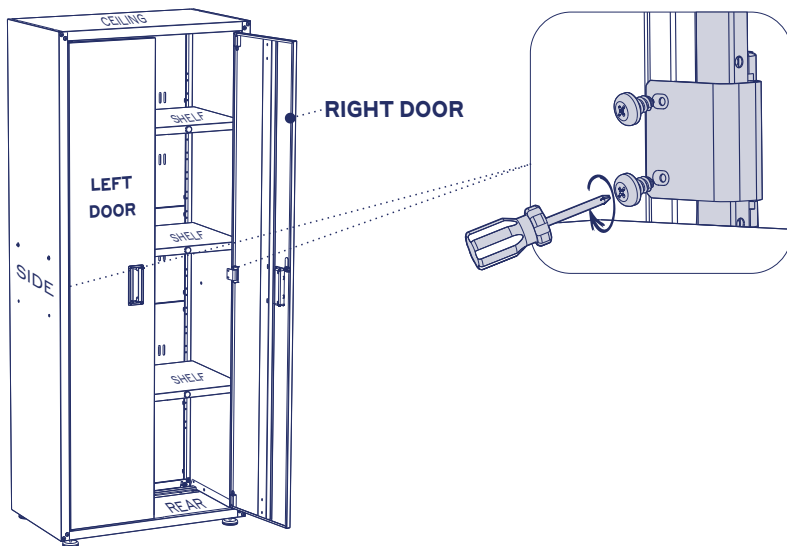


STEP 16

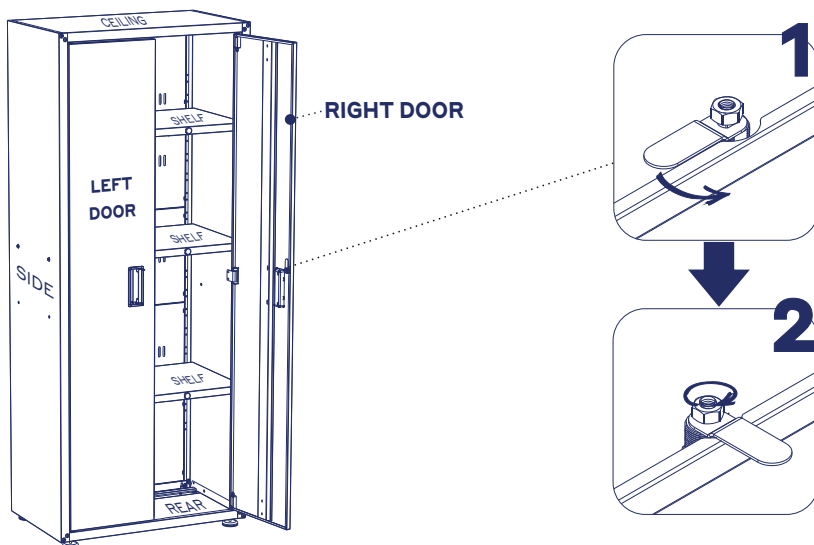
- 1 - To assembly the doors, fit the **RIGHT DOOR** lower hinge bolt inside the hole in the **REAR** part.
- 2 - Then, pull down the pin of the **RIGHT DOOR** upper hinge; align the door and release the pin to fit the hole in the **CEILING** part.
- 3 - Repeat the step for the **LEFT DOOR**.



- STEP 17** → 1 - Turn the central hinge tab until it leans into the **SIDES** parts. Align the hinge tab and the **SIDES** holes and fix it with **F18**.
- 2 - Repeat the step for the **LEFT DOOR** part.



- STEP 18** → 1 - Adjust the position of the locking tongue.





WARRANTS TERMS AND CONDITIONS

ITBE PRODUCTS

This document describes the limited warranty agreement ('Warranty') regarding your purchase of ITBE's furniture and/or equipment ('Product') within USA territory. This agreement is subject to the conditions described below.

1. WARRANTY SCOPE

- 1.1.** This Warranty covers Product defects resulting from defective parts, materials or manufacturing, if such defects occur during the period of 12 months after the date of purchase.
- 1.2.** The Products are considered defective if they fails to perform the functions as indicated in the operation manuals, technical specifications or any other similar documents supplied with the Products, and the failure is due to material and workmanship defects.
- 1.3.** During the Warranty period, if a defect arises in the Product, ITBE will, at his option and to the extent permitted by law, either (i) repair the Products using either new or refurbished parts, (ii) replace the Product with a new or refurbished Product that is equivalent or similar to the Product to be replaced, or (iii) refund to Buyer all or part of the purchase price of the Product.

2. WARRANTY LIMITATIONS

2.1. This Warranty does not cover:

- i.** In-home service including, but not limited to, service calls to correct the installation of any Products or to instruct Buyer on how to use or install them.
- ii.** Damage or failure resulting from modification, alteration, misuse or abuse of a Product.
- iii.** Damage caused by a carrier or third party, including resulting from improper handling or shipping of Products, or Products damaged by accident, alteration, misuse, abuse, fire, flood, improper installation, acts of God, neglect, corrosion, modification or mishandling.
- iv.** Factory specified replacement parts or Product replacement when Buyer's Product is used in other than normal, single-family household use, such as a commercial environment or handled in a manner contrary to published user or operator instructions and/or installation instructions.
- v.** Aesthetic damages including scratches, dings, dents or cracks that do not affect the structural or functional capability of the Product.
- vi.** Damage resulting from improper loading beyond the specified maximum weight capacity outlined in the assembly instructions provided with the Product including overloading of hooks, baskets, shelves, cabinets, and other accessories used with the Product.
- vii.** Surfaces damaged due to chemical interaction resulting in corrosion of paint, metal or any treatment or cleaning product that is not recommended by ITBE.
- viii.** Color and other covering materials.
- ix.** Drawers and doors, as they may run tight or lose due to high variation in humidity and temperature in the surrounding atmosphere.
- x.** Replacement keys or locking mechanism.
- xi.** Natural wear and tear of the Product.
- xii.** Any labor costs during the Warranty period.

2.2 ITBE must be notified of any defect and given an opportunity to remedy it; any remedial work carried out by a third party will nullify this warranty.

2.3 The cost of repair or replacement under these excluded circumstances shall be borne by Buyer.



3. PROCEDURE AND EVALUATION

3.1 If Buyer has received a defective Product, Buyer must report the defect by sending an e-mail to To be able to help@itbehome.com make a warranty claim, Buyer must always present proof of purchase send a photo of the defective Product and provide a detailed description of the defect.

3.2 Buyer will receive a confirmatory email with a number code and ITBE will process the report within 2 business days. If the photo sent by Buyer is not enough to determine the cause of the Product defect, ITBE may request further explanation, carry out an on-site examination of the Product or require Buyer to send the Product to the nearest support center. If an on-site examination is necessary, Buyer must grant free direct access to ITBE's technician as needed.

3.3 If there is any doubt about whether the problem with the defective Products falls under the Warranty, the burden of proof of the existence of material and workmanship defects lies with Buyer.

3.4 Warranty services will be provided only if a material or workmanship defect is demonstrated, and the defect does not fall under clause 2.

3.5 After evaluation, ITBE will, on its discretion, either repair or replace the defective parts of the Product or the Product itself or refund the purchase price to Buyer. ITBE shall provide Buyer with a forecast of the time required for the repair or replacement of the Product.

3.6 If a product or its part has to be replaced and that particular product or part is no longer available, ITBE reserves the right to use an alternative similar product or part.

3.7 When a warranty claim is justified, ITBE will pay for shipping expenses for repairing or replacing the Product. ITBE can charge Buyer for returned Products that are not found to be defective or non-conforming, in addition to shipping-test, and handling costs associated therewith.

3.8 The warranty does not cover any costs associated with installation, removal or reinstallation of a Product, when applicable.

4.WARRANTIES AND DAMAGES

4.1 To the extent permitted by law, the Warranty and remedies set forth above are exclusive and in lieu of all other warranties and remedies. ITBE specifically disclaims all statutory or implied warranties, including, but not limited to, warranties of merchantability, fitness for a particular purpose and against hidden or latent defects.

4.2 ITBE DOES NOT PROVIDE, AND SPECIFICALLY DISCLAIMS, ANY OTHER WARRANTIES FOR THE PRODUCTS, EXPRESS OR IMPLIED, INCLUDING ANY IMPLIED WARRANTY OF MERCHANTABILITY OR FITNESS FOR A PARTICULAR PURPOSE. ITBE SHALL NOT BE LIABLE FOR OR OBLIGATED IN ANY WAY TO PAY CONSEQUENTIAL OR INDIRECT DAMAGES, INCLUDING, WITHOUT LIMITATION, LOSS OF PROFITS, FINES OR LEGAL ACTIONS BY THIRD PARTIES. IN ANY EVENT, ITBE'S LIABILITY AS RELATED TO THE SUPPLY OF THE PRODUCT SHALL NOT EXCEED THE AMOUNT EFFECTIVELY PAID BY THE BUYER.

4.3 ITBE is not obliged to notify any Buyer, or future Buyer, after a certain date about any possible amendments or the non-applicability of this limited warranty regarding the supplied Products. The Warranty as described below is subject to the limits and other conditions described herein.


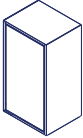


Keep this booklet and your proof of purchase together for future reference. You will need to provide proof of purchase to obtain service under warranty.

Write the following information regarding your Product to help you get Better assistance or service should you ever need it.

You should have the complete model number. You can find this information on the label that is located in the package, as an example below:

1234564510000
COPY THIS NUMBER

ITBE		PRODUCT IDENTIFICATION	
0001/0003	00000000	00/00/00	1123456411510000
PD 1P-35 ITBE EASY FIT BRM/BRM		PACKED SIZE: GROSS WEIGHT: VOL/UNIT:	
 7892946315555		 Assembled Product 13.77" X 25.19" X 11.22" IN	

Distributor name _____
Address _____
Phone number _____
Model number _____
Serial number _____
Date of purchase _____



it  **be**

Taking good care of your cabinet



Important - In order to avoid severe or even fatal injuries, follow the instructions carefully.



Need Help?



Any questions
on the assembly ?

Contact us.

help@itbehome.com

it→be

itbehome.com