

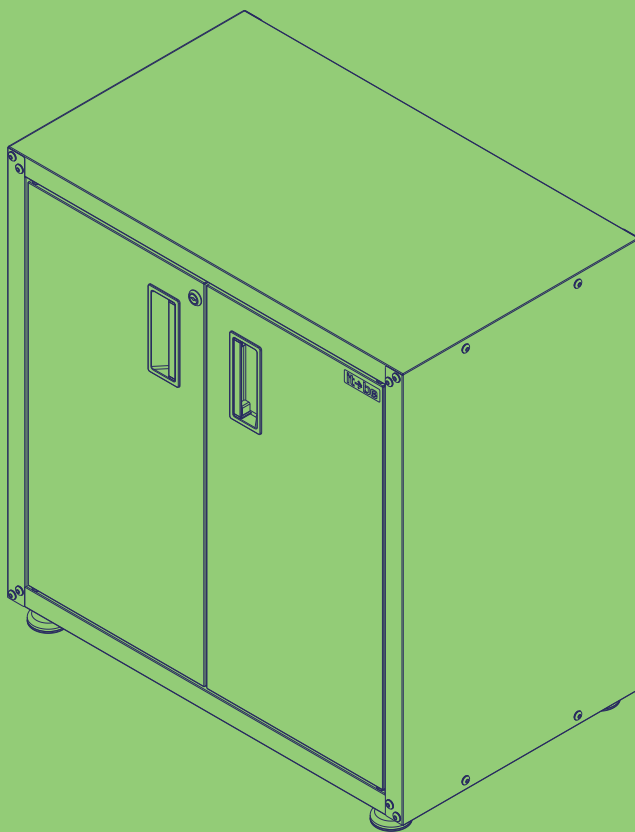
For Home Cabinet with Two Doors

Assembly Guide



Model: 3500001552 / 3500001563 / 3500001564

1000012236 - 08/09/2020

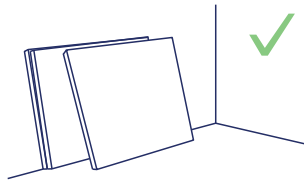
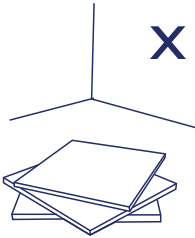


it→be

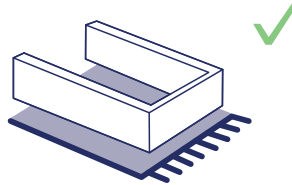
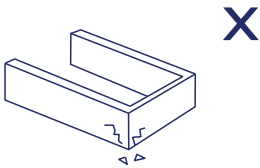
Perfectly
Funtional.



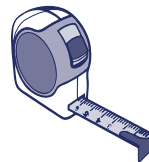
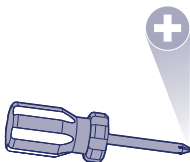
In order to ease the assembly, you should separate and identify the parts first



Do not place the parts directly onto the floor. Use a cardboard sheet or a mat to place the parts, during the separation and assembly.

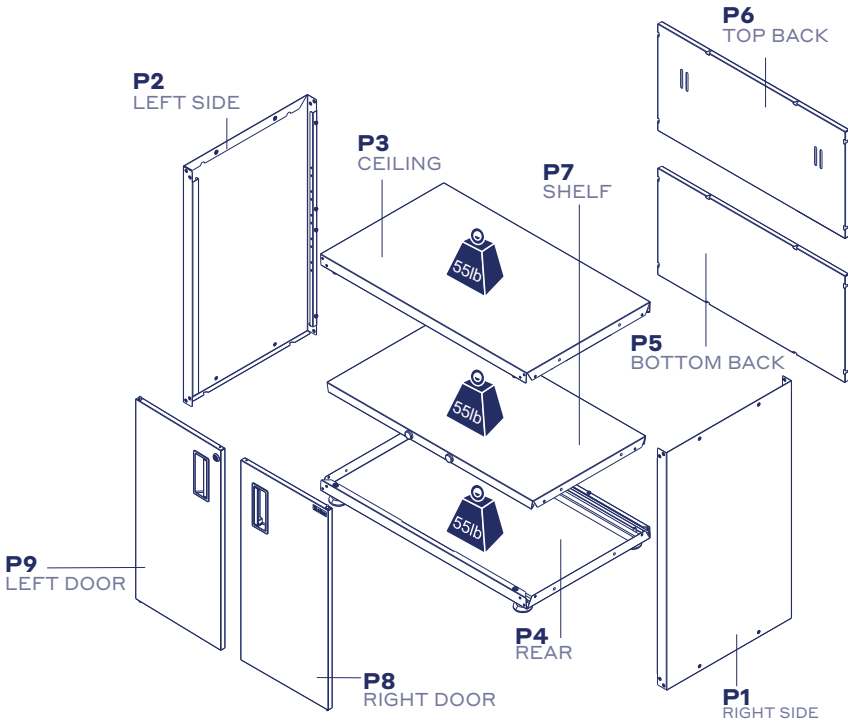


Tools Needed (not supplied)

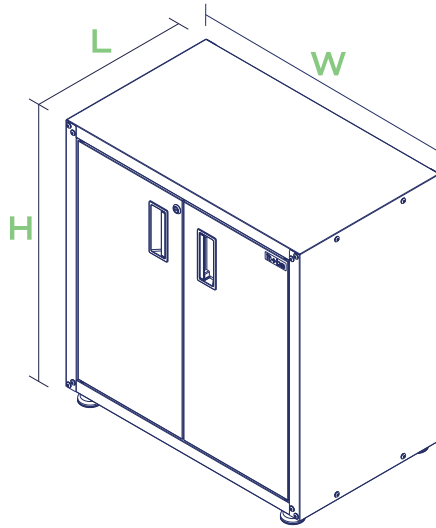


IDENTIFICATION OF PARTS

Nº	DESCRIPTION	IDENTIFY THE COLOR OF YOUR CABINET						DIMENSION		
		BLACK MATTE	WHITE MATTE	GREY				LENGTH	WIDTH	THICKNESS
P1	RIGHT SIDE	3000010635	3000010541	-	STEEL	1	PC	29,96"	18,21"	1,82"
P2	LEFT SIDE	3000010634	3000010540	-	STEEL	1	PC	29,96"	18,21"	1,82"
P3	CEILING	3000010621	3000010525	-	STEEL	1	PC	30,26"	18,11"	1,38"
P4	REAR	3000010620	3000010524	-	STEEL	1	PC	30,26"	18,11"	1,38"
P5	BOTTOM BACK	3000010592	3000010469	-	STEEL	1	PC	27,50"	13,56"	0,57"
P6	TOP BACK	3000010633	3000010539	-	STEEL	1	PC	27,50"	13,56"	0,57"
P7	SHELF	3000010622	3000010526	-	STEEL	1	PC	30,26"	18,11"	1,38"
P8	RIGHT DOOR	3000010600	-	3000010465	STEEL	1	PC	26,81"	13,56"	0,65"
P9	LEFT DOOR	3000010601	-	3000010464	STEEL	1	PC	26,81"	13,55"	0,65"



Warning - Maximum distributed weight supported.



Assembled product:

H: 32.3'' W: 30.3'' L: 18.1''

Hardware list

F1

1000011853



SCREW M8X12
Qty. 24

F2

1000011851



NUT M8
Qty. 24

F7

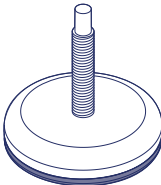
1000008301



Qty. 4x

F9

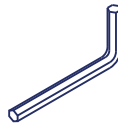
1000008368



Qty. 4

F13

1000011850



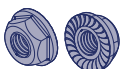
HEXAGON 5mm
Qty. 1x

F15

1000010159



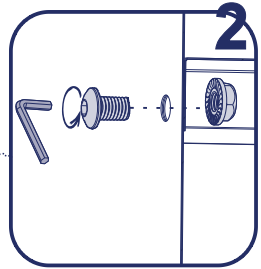
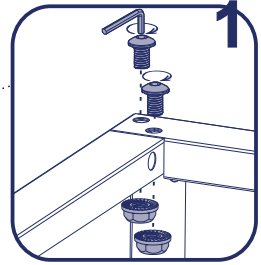
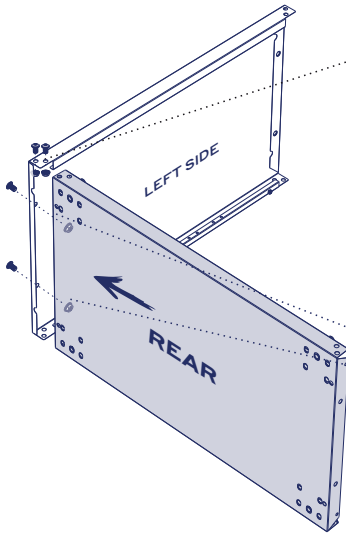
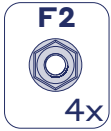
Qty. 1x



Locking nut, no key tightening required.

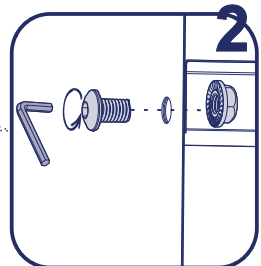
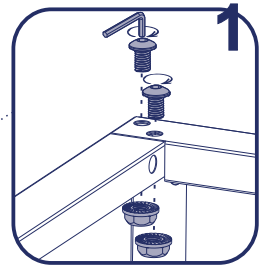
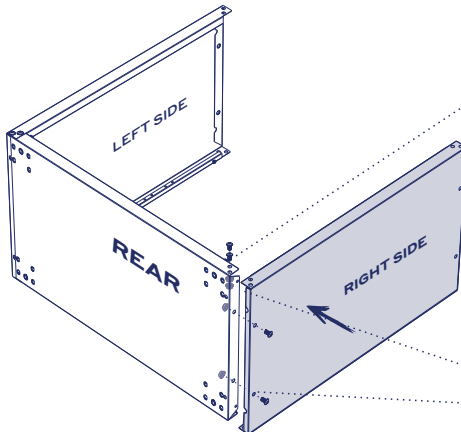
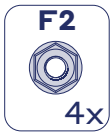
STEP 1

- 1 - Fit the **REAR** part inside the **LEFT SIDE** part.
- 2 - Align the two holes in the corner and screw **F1** and **F2** to it.



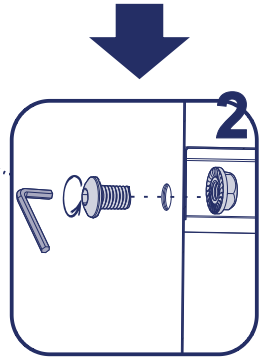
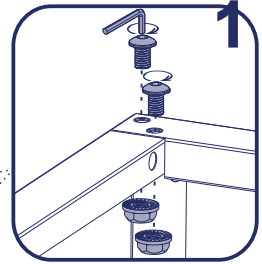
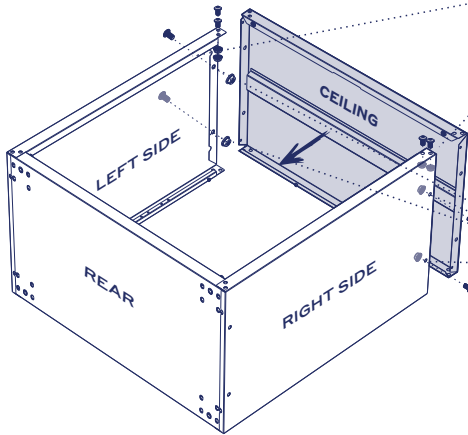
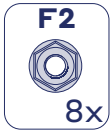
STEP 2

- 1 - Fit the **REAR** part inside the **RIGHT SIDE**.
- 2 - Align the two holes in the corner and screw **F1** and **F2** to it.



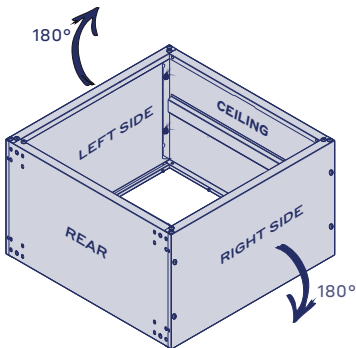
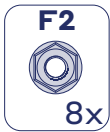
STEP 3

- 1 - Fit the **CEILING** part between the **RIGHT** and **LEFT** sides parts.
- 2 - Check that all 4 tabs have been fitted.
- 3 - Fit the **CEILING** part to the corners of the **RIGHT** and **LEFT SIDES**. Align the holes and screw **F1** and **F2** to it.

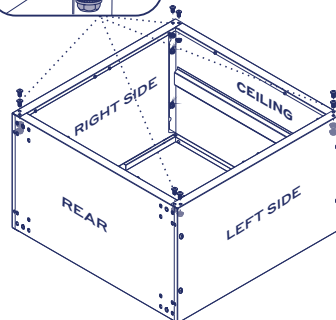
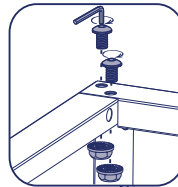


STEP 4

- 1 - Turn the cabinet with the back side upwards.



- 2 - Align the holes and screw **F1** and **F2** to it to each corners.

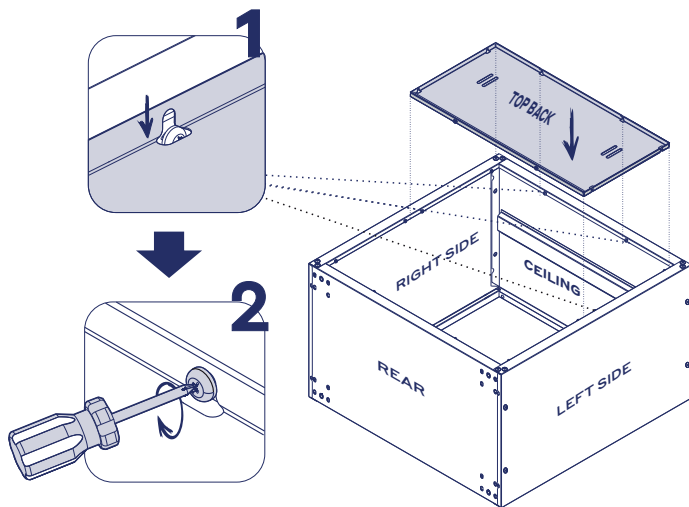


Important -

Check if all parts are correctly positioned to ensure product alignment.

STEP 5

- 1 - Fit the **TOP BACK** into parts **RIGHT SIDE**, **LEFT SIDE** and **CEILING**. Check that all fits are supported over the bolts.
- 2 - After fitting the parts, screw the bolts until locked.

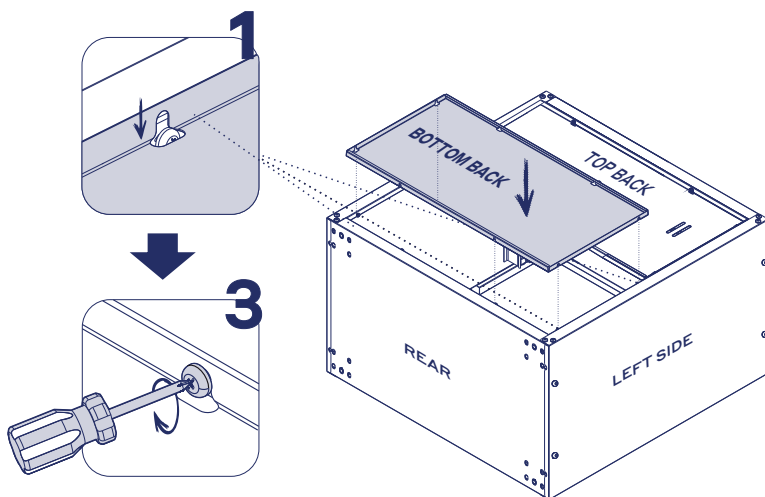


Important

Position the **TOP BACK** on the **CEILING** side for mounting the cabinet.

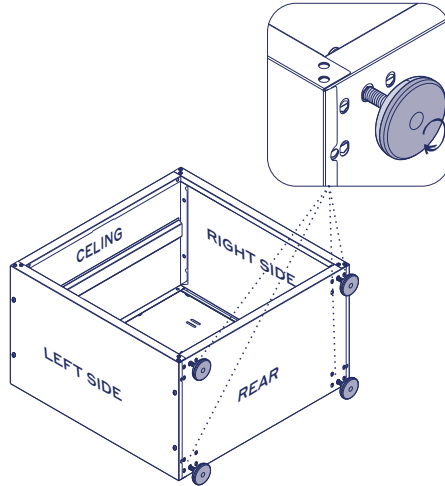
STEP 6

- 1 - Fit the **BOTTOM BACK** into the **RIGHT SIDE**, **LEFT SIDE** and the **REAR** check that all fits are supported over the bolts
- 2 - After fitting the parts, screw the bolts until locked.



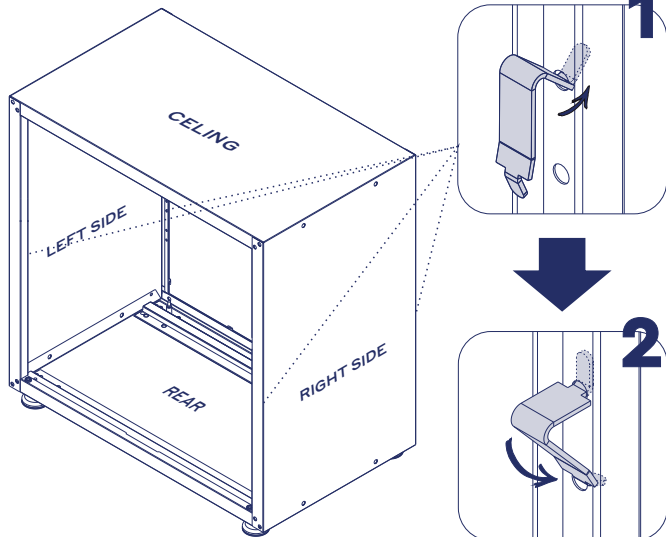
STEP 7

- 1 - Screw the leveling leg **F9** into each of the four rivet nuts located at the corners of the cabinet as shown. To level the height of the cabinet, turn the Leveling Leg either clockwise or counterclockwise to align it.



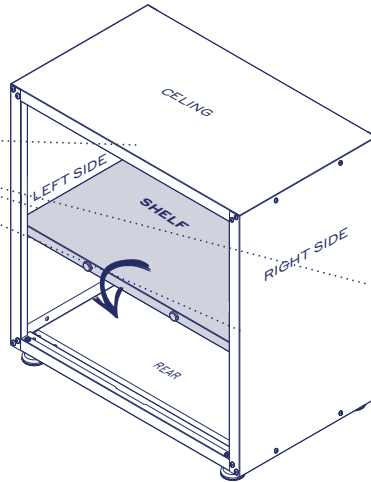
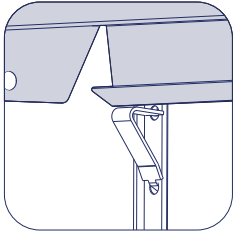
STEP 8

- 1 - Turn the cabinet to the position of use as shown in the picture.
- 2 - Fix the four **F7** parts to both **SIDES** as shown below.



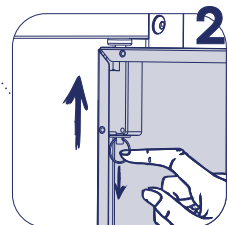
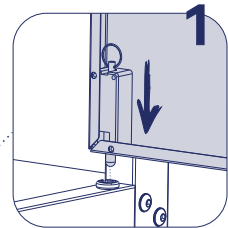
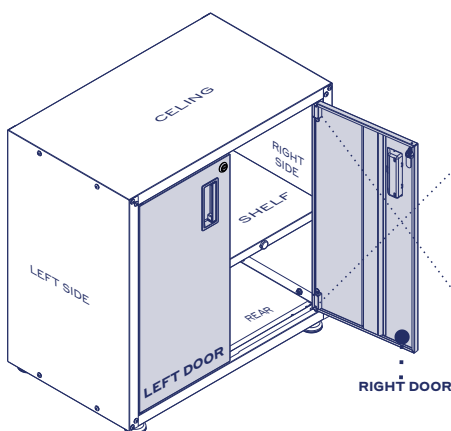
STEP 9

- 1 - Fit the lower the **SHELF** in diagonal position to insert it inside the cupboard.
- 2 - Lean the **SHELF** in the **RIGHT SIDE**, **LEFT SIDE** and place it over the **F7** detailed in the figure here below.
- 3 - Lower the other side of the **SHELF**, leaning it over the left **F7**.



STEP 10

- 1 - To assembly the doors, fit **RIGHT DOOR** lower hinge bolt inside the bushing fixed in part **REAR** then, pull down the pin of **LEFT DOOR** upper hinge; align the door and release the pin to fit the bushing fixed in part **CEILING**.
- 2 - Repeat the step for part **LEFT DOOR**.





WARRANTS TERMS AND CONDITIONS

ITBE PRODUCTS

This document describes the limited warranty agreement ('Warranty') regarding your purchase of ITBE's furniture and/or equipment ('Product') within USA territory. This agreement is subject to the conditions described below.

1. WARRANTY SCOPE

- 1.1.** This Warranty covers Product defects resulting from defective parts, materials or manufacturing, if such defects occur during the period of 12 months after the date of purchase.
- 1.2.** The Products are considered defective if they fail to perform the functions as indicated in the operation manuals, technical specifications or any other similar documents supplied with the Products, and the failure is due to material and workmanship defects.
- 1.3.** During the Warranty period, if a defect arises in the Product, ITBE will, at his option and to the extent permitted by law, either (i) repair the Products using either new or refurbished parts, (ii) replace the Product with a new or refurbished Product that is equivalent or similar to the Product to be replaced, or (iii) refund to Buyer all or part of the purchase price of the Product.

2. WARRANTY LIMITATIONS

2.1. This Warranty does not cover:

- i.** In-home service including, but not limited to, service calls to correct the installation of any Products or to instruct Buyer on how to use or install them.
- ii.** Damage or failure resulting from modification, alteration, misuse or abuse of a Product.
- iii.** Damage caused by a carrier or third party, including resulting from improper handling or shipping of Products, or Products damaged by accident, alteration, misuse, abuse, fire, flood, improper installation, acts of God, neglect, corrosion, modification or mishandling.
- iv.** Factory specified replacement parts or Product replacement when Buyer's Product is used in other than normal, single-family household use, such as a commercial environment or handled in a manner contrary to published user or operator instructions and/or installation instructions.
- v.** Aesthetic damages including scratches, dings, dents or cracks that do not affect the structural or functional capability of the Product.
- vi.** Damage resulting from improper loading beyond the specified maximum weight capacity outlined in the assembly instructions provided with the Product including overloading of hooks, baskets, shelves, cabinets, and other accessories used with the Product.
- vii.** Surfaces damaged due to chemical interaction resulting in corrosion of paint, metal or any treatment or cleaning product that is not recommended by ITBE.
- viii.** Color and other covering materials.
- ix.** Drawers and doors, as they may run tight or lose due to high variation in humidity and temperature in the surrounding atmosphere.
- x.** Replacement keys or locking mechanism.
- xi.** Natural wear and tear of the Product.
- xii.** Any labor costs during the Warranty period.

2.2 ITBE must be notified of any defect and given an opportunity to remedy it; any remedial work carried out by a third party will nullify this warranty.

2.3 The cost of repair or replacement under these excluded circumstances shall be borne by Buyer.



3. PROCEDURE AND EVALUATION

3.1 If Buyer has received a defective Product, Buyer must report the defect by sending an e-mail to To be able to help@itbehome.com make a warranty claim, Buyer must always present proof of purchase send a photo of the defective Product and provide a detailed description of the defect.

3.2 Buyer will receive a confirmatory email with a number code and ITBE will process the report within 2 business days. If the photo sent by Buyer is not enough to determine the cause of the Product defect, ITBE may request further explanation, carry out an on-site examination of the Product or require Buyer to send the Product to the nearest support center. If an on-site examination is necessary, Buyer must grant free direct access to ITBE's technician as needed.

3.3 If there is any doubt about whether the problem with the defective Products falls under the Warranty, the burden of proof of the existence of material and workmanship defects lies with Buyer.

3.4 Warranty services will be provided only if a material or workmanship defect is demonstrated, and the defect does not fall under clause 2.

3.5 After evaluation, ITBE will, on its discretion, either repair or replace the defective parts of the Product or the Product itself or refund the purchase price to Buyer. ITBE shall provide Buyer with a forecast of the time required for the repair or replacement of the Product.

3.6 If a product or its part has to be replaced and that particular product or part is no longer available, ITBE reserves the right to use an alternative similar product or part.

3.7 When a warranty claim is justified, ITBE will pay for shipping expenses for repairing or replacing the Product. ITBE can charge Buyer for returned Products that are not found to be defective or non-conforming, in addition to shipping-test, and handling costs associated therewith.

3.8 The warranty does not cover any costs associated with installation, removal or reinstallation of a Product, when applicable.

4.WARRANTIES AND DAMAGES

4.1 To the extent permitted by law, the Warranty and remedies set forth above are exclusive and in lieu of all other warranties and remedies. ITBE specifically disclaims all statutory or implied warranties, including, but not limited to, warranties of merchantability, fitness for a particular purpose and against hidden or latent defects.

4.2 ITBE DOES NOT PROVIDE, AND SPECIFICALLY DISCLAIMS, ANY OTHER WARRANTIES FOR THE PRODUCTS, EXPRESS OR IMPLIED, INCLUDING ANY IMPLIED WARRANTY OF MERCHANTABILITY OR FITNESS FOR A PARTICULAR PURPOSE. ITBE SHALL NOT BE LIABLE FOR OR OBLIGATED IN ANY WAY TO PAY CONSEQUENTIAL OR INDIRECT DAMAGES, INCLUDING, WITHOUT LIMITATION, LOSS OF PROFITS, FINES OR LEGAL ACTIONS BY THIRD PARTIES. IN ANY EVENT, ITBE'S LIABILITY AS RELATED TO THE SUPPLY OF THE PRODUCT SHALL NOT EXCEED THE AMOUNT EFFECTIVELY PAID BY THE BUYER.

4.3 ITBE is not obliged to notify any Buyer, or future Buyer, after a certain date about any possible amendments or the non-applicability of this limited warranty regarding the supplied Products. The Warranty as described below is subject to the limits and other conditions described herein.


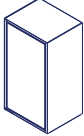


Keep this booklet and your proof of purchase together for future reference. You will need to provide proof of purchase to obtain service under warranty.

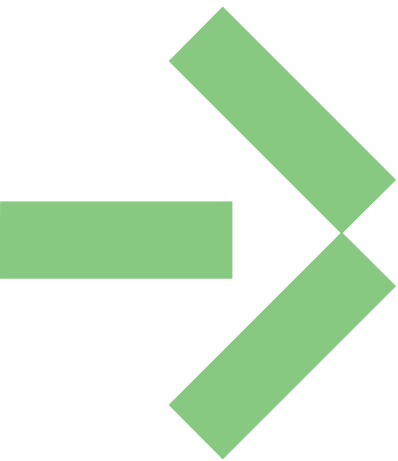
Write the following information regarding your Product to help you get Better assistance or service should you ever need it.

You should have the complete model number. You can find this information on the label that is located in the package, as an example below:

1234564510000
COPY THIS NUMBER

ITBE		PRODUCT IDENTIFICATION	
0001/0003	00000000	00/00/00	1123456411510000
PD 1P-35 ITBE EASY FIT BRM/BRM		PACKED SIZE: GROSS WEIGHT: VOL/UNIT:	
 7892946315555		 Assembled Product 13.77" X 25.19" X 11.22" IN	

Distributor name _____
Address _____
Phone number _____
Model number _____
Serial number _____
Date of purchase _____



it → be

Taking good care of your cabinet



Important - In order to avoid severe or even fatal injuries, follow the instructions carefully.



Need Help?



Any questions
on the assembly ?

Contact us.

help@itbehome.com

it→be

itbehome.com